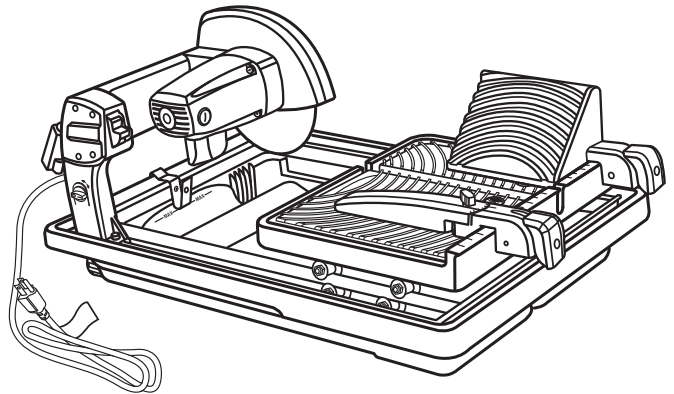




OPERATOR'S MANUAL MANUEL D'UTILISATION MANUAL DEL OPERADOR

7 in. TILE SAW
SCIE À CARREAUX DE 178 mm
(7 po)

SIERRA DE LOSAS DE
178 mm (7 pulg.)
WS730



Your saw has been engineered and manufactured to our high standard for dependability, ease of operation, and operator safety. When properly cared for, it will give you years of rugged, trouble-free performance.

WARNING: To reduce the risk of injury, the user must read and understand the operator's manual before using this product.

Thank you for your purchase.

SAVE THIS MANUAL FOR FUTURE REFERENCE

Cette scie a été conçue et fabriquée conformément aux strictes normes de fiabilité, simplicité d'emploi et sécurité d'utilisation. Correctement entretenu, cet outil vous donnera des années de fonctionnement robuste et sans problème.

AVERTISSEMENT : Pour réduire les risques de blessures, l'utilisateur doit lire et veiller à bien comprendre le manuel d'utilisation avant d'employer ce produit.

Merci de votre achat.

Su sierra ha sido diseñado y fabricado de conformidad con nuestras estrictas normas para brindar fiabilidad, facilidad de uso y seguridad para el operador. Con el debido cuidado, le brindará muchos años de sólido funcionamiento y sin problemas.

ADVERTENCIA: Para reducir el riesgo de lesiones, el usuario debe leer y comprender el manual del operador antes de usar este producto.

Le agradecemos su compra.

**CONSERVER CE MANUEL POUR
FUTURE RÉFÉRENCE**

**GUARDE ESTE MANUAL PARA
FUTURAS CONSULTAS**

TABLE OF CONTENTS

■ Introduction	2
■ Warranty	2
■ General Safety Rules	3-4
■ Specific Safety Rules.....	5
■ Symbols.....	6-7
■ Electrical	8-9
■ Features.....	9-10
■ Assembly	10-12
■ Operation.....	12-14
■ Adjustments.....	15
■ Maintenance.....	15-16
■ Accessories	16
■ Figure numbers (illustrations).....	17-20
■ Parts Ordering / Service	Back page

INTRODUCTION

This product has many features for making its use more pleasant and enjoyable. Safety, performance, and dependability have been given top priority in the design of this product making it easy to maintain and operate.

WARRANTY

RYOBI® POWER TOOL - LIMITED TWO YEAR WARRANTY AND 30 DAY EXCHANGE POLICY

One World Technologies, Inc., warrants its RYOBI® power tools with the following conditions:

30-DAY EXCHANGE POLICY: During the first 30 days after date of purchase, you may either request service under this warranty or you may exchange any RYOBI® power tool which does not work properly due to defective workmanship or materials by returning the power tool to the dealer from which it was purchased. To receive a replacement power tool or requested warranty service, you must present proof of purchase and return all original equipment packaged with the original product. The replacement power tool will be covered by the limited warranty for the balance of the two year period from the date of the original purchase.

WHAT THIS WARRANTY COVERS: This warranty covers all defects in workmanship or materials in your RYOBI® power tool for a period of two years from the date of purchase. With the exception of batteries, power tool accessories are warranted for ninety (90) days. Batteries are warranted for two years.

HOW TO GET SERVICE: Just return the power tool, properly packaged and postage prepaid, to an Authorized Service Center. You can obtain the location of the Service Center nearest you by contacting a service representative at One World Technologies, Inc., P.O. Box 1207, Anderson, SC 29622-1207, by calling 1-800-525-2579 or by logging on to www.ryobitools.com. When you request warranty service, you must also present proof of purchase documentation, which includes the date of purchase (for example, a bill of sale). We will repair any faulty workmanship, and either repair or replace any defective part, at our option. We will do so without any charge to you. We will complete the work in a reasonable time, but, in any case, within ninety (90) days or less.

WHAT'S NOT COVERED: This warranty applies only to the original purchaser at retail and may not be transferred. This warranty only covers defects arising under normal usage and does not cover any malfunction, failure or defects resulting from misuse, abuse, neglect, alteration, modification or repairs by other than Authorized Service Centers. One World Technologies, Inc. makes no warranties, representations or promises as to the quality or performance of its power tools other than those specifically stated in this warranty.

ADDITIONAL LIMITATIONS: Any implied warranties granted under state law, including warranties of merchantability or fitness for a particular purpose, are limited to two years from the date of purchase. One World Technologies, Inc. is not responsible for direct, indirect, or incidental damages, so the above limitations and exclusions may not apply to you. This warranty gives you specific legal rights, and you may also have other rights which vary from state to state.

GENERAL SAFETY RULES

WARNING:

Read and understand all instructions. Failure to follow all instructions listed below, may result in electric shock, fire and/or serious personal injury.

READ ALL INSTRUCTIONS

- **KNOW YOUR POWER TOOL.** Read the operator's manual carefully. Learn the saw's applications and limitations as well as the specific potential hazards related to this tool.
- **GUARD AGAINST ELECTRICAL SHOCK BY PREVENTING BODY CONTACT WITH GROUNDED SURFACES.** For example, pipes, radiators, ranges, refrigerator enclosures.
- **KEEP GUARDS IN PLACE** and in good working order.
- **REMOVE ADJUSTING KEYS AND WRENCHES.** Form habit of checking to see that keys and adjusting wrenches are removed from tool before turning it on.
- **KEEP WORK AREA CLEAN.** Cluttered areas and benches invite accidents. **DO NOT** leave tools or pieces of wood on the saw while it is in operation.
- **DO NOT USE IN DANGEROUS ENVIRONMENTS.** Do not use power tools in damp or wet locations or expose to rain. Keep the work area well lit.
- **KEEP CHILDREN AND VISITORS AWAY.** All visitors should wear safety glasses and be kept a safe distance from work area. Do not let visitors contact tool or extension cord while operating.
- **MAKE WORKSHOP CHILDPROOF** with padlocks and master switches, or by removing starter keys.
- **DON'T FORCE TOOL.** It will do the job better and safer at the feed rate for which it was designed.
- **USE RIGHT TOOL.** Don't force the tool or attachment to do a job it was not designed for. Don't use it for a purpose not intended.
- **USE THE PROPER EXTENSION CORD.** Make sure your extension cord is in good condition. Use only a cord heavy enough to carry the current your product will draw. An undersized cord will cause a drop in line voltage resulting in loss of power and overheating. A wire gauge size (A.W.G.) of at least **14** is recommended for an extension cord 25 feet or less in length. If in doubt, use the next heavier gauge. The smaller the gauge number, the heavier the cord.
- **DRESS PROPERLY.** Do not wear loose clothing, gloves, neckties, or jewelry. They can get caught and draw you into moving parts. Rubber gloves and nonskid footwear (rubber soled boots) are recommended when working outdoors. Also wear protective hair covering to contain long hair.
- **ALWAYS WEAR SAFETY GLASSES WITH SIDE SHIELDS.** Everyday eyeglasses have only impact-resistant lenses, they are **NOT** safety glasses.
- **SECURE WORK.** Use clamps or a vise to hold work when practical, it is safer than using your hand and frees both hands to operate the tool.
- **DON'T OVERREACH.** Keep proper footing and balance at all times.
- **MAINTAIN TOOLS WITH CARE.** Keep tools sharp and clean for better and safer performance. Follow instructions for lubricating and changing accessories.
- **DISCONNECT TOOLS.** When not in use, before servicing, or when changing attachments, blades, bits, cutters, etc., all tools should be disconnected.
- **AVOID ACCIDENTAL STARTING.** Be sure switch is off when plugging in any tool.
- **USE RECOMMENDED ACCESSORIES.** Consult the operator's manual for recommended accessories. The use of improper accessories may risk injury.
- **NEVER STAND ON TOOL.** Serious injury could occur if the tool is tipped or if the cutting tool is unintentionally contacted.
- **CHECK DAMAGED PARTS.** Before further use of the tool, a guard or other part that is damaged should be carefully checked to determine that it will operate properly and perform its intended function. Check for alignment of moving parts, binding of moving parts, breakage of parts, mounting and any other conditions that may affect its operation. A guard or other part that is damaged must be properly repaired or replaced by an authorized service center to avoid risk of personal injury.
- **USE THE RIGHT DIRECTION OF FEED.** Feed work into a blade or cutter against the direction of rotation of blade or cutter only.
- **NEVER LEAVE TOOL RUNNING UNATTENDED. TURN THE POWER OFF.** Don't leave tool until it comes to a complete stop.
- **PROTECT YOUR LUNGS.** Wear a face or dust mask if the cutting operation is dusty.
- **PROTECT YOUR HEARING.** Wear hearing protection during extended periods of operation.
- **DO NOT ABUSE CORD.** Never yank cord to disconnect from receptacle. Keep cord away from heat, oil, and sharp edges.
- **ALWAYS USE AN OUTDOOR EXTENSION CORD MARKED "W-A" OR "W".** These cords are rated for outdoor use and reduce the risk of electric shock.
- **ALWAYS KEEP THE WHEEL GUARD IN PLACE** and in working order.

GENERAL SAFETY RULES








- **KEEP HANDS AWAY FROM CUTTING AREA.** Keep hands away from wheels. Do not reach underneath work or around or over the wheel while wheel is rotating. Do not attempt to remove cut material when wheel is moving.
- **WHEEL COASTS AFTER BEING TURNED OFF.**
- **NEVER USE IN AN EXPLOSIVE ATMOSPHERE.** Normal sparking of the motor could ignite fumes.
- **INSPECT TOOL CORDS PERIODICALLY.** If damaged, have repaired by a qualified service technician at an authorized service facility. The conductor with insulation having an outer surface that is green with or without yellow stripes is the equipment-grounding conductor. If repair or replacement of the electric cord or plug is necessary, do not connect the equipment-grounding conductor to a live terminal. Repair or replace a damaged or worn cord immediately. Stay constantly aware of cord location and keep it well away from the rotating blade.
- **INSPECT EXTENSION CORDS PERIODICALLY** and replace if damaged.
- **GROUND ALL TOOLS.** If tool is equipped with three-prong plug, it should be plugged into a three-hole electrical receptacle.
- **CHECK WITH A QUALIFIED ELECTRICIAN** or service personnel if the grounding instructions are not completely understood or if in doubt as to whether the tool is properly grounded.
- **USE ONLY CORRECT ELECTRICAL DEVICES:** 3-wire extension cords that have 3-prong grounding plugs and 3-pole receptacles that accept the tool's plug.
- **DO NOT MODIFY** the plug provided. If it will not fit the outlet, have the proper outlet installed by a qualified electrician.
- **KEEP TOOL DRY, CLEAN, AND FREE FROM OIL AND GREASE.** Always use a clean cloth when cleaning. Never use brake fluids, gasoline, petroleum-based products, or any solvents to clean tool.
- **STAY ALERT AND EXERCISE CONTROL.** Watch what you are doing and use common sense. Do not operate tool when you are tired. Do not rush.
- **DO NOT USE TOOL IF SWITCH DOES NOT TURN IT ON AND OFF.** Have defective switches replaced by an authorized service center.
- **USE ONLY CORRECT WHEELS.** Do not use wheels with incorrect size holes. Never use washers or arbor nuts that are defective or incorrect. The maximum wheel capacity of your saw is 7 in. (178 mm).
- **BEFORE MAKING A CUT, BE SURE ALL ADJUSTMENTS ARE SECURE.**
- **NEVER TOUCH WHEEL** or other moving parts during use.
- **NEVER START A TOOL WHEN ANY ROTATING COMPONENT IS IN CONTACT WITH THE WORKPIECE.**
- **DO NOT OPERATE A TOOL WHILE UNDER THE INFLUENCE OF DRUGS, ALCOHOL, OR ANY MEDICATION.**
- **WHEN SERVICING** use only identical replacement parts. Use of any other parts may create a hazard or cause product damage.
- **USE ONLY RECOMMENDED ACCESSORIES** listed in this manual or addendums. Use of accessories that are not listed may cause the risk of personal injury. Instructions for safe use of accessories are included with the accessory.
- **DOUBLE CHECK ALL SETUPS.** Make sure blade is tight and not making contact with saw or workpiece before connecting to power supply.

SPECIFIC SAFETY RULES

- **ALWAYS SECURE WORK** firmly against the rip guide or bevel block.
- **NEVER** stand or have any part of your body in line with the path of the wheel.
- **NEVER** attempt to free a stalled wheel without first turning the saw **OFF** and disconnecting the saw from the power source.
- **IF THE POWER SUPPLY CORD IS DAMAGED**, it must be replaced only by the manufacturer or by an authorized service center to avoid risk.
- **AVOID AWKWARD OPERATIONS AND HAND POSITIONS** where a sudden slip could cause your hand to move into the cutting tool.
- **MAKE SURE THE WORK AREA HAS AMPLE LIGHTING** to see the work and that no obstructions will interfere with safe operation **BEFORE** performing any work using the saw.
- **ALWAYS TURN OFF SAW** before disconnecting it, to avoid accidental starting when reconnecting to power supply.
- **THIS TOOL** should have the following markings:
 - a) Wear eye protection.
 - b) Use splash guard for every operation for which it can be used.
 - c) Disconnect saw before servicing, when changing cutting wheels, and cleaning.
 - d) Use tool only with smooth edge cutting wheels free of openings, grooves, and teeth.
 - e) Replace damaged cutting wheel before operating.
 - f) Do not fill water bath above water fill line.
- **SAVE THESE INSTRUCTIONS.** Refer to them frequently and use to instruct other users. If you loan someone this tool, loan them these instructions too.




SYMBOLS

Some of the following symbols may be used on this tool. Please study them and learn their meaning. Proper interpretation of these symbols will allow you to operate the tool better and safer.

SYMBOL	NAME	DESIGNATION/EXPLANATION
V	Volts	Voltage
A	Amperes	Current
Hz	Hertz	Frequency (cycles per second)
W	Watt	Power
min	Minutes	Time
~	Alternating Current	Type of current
≡	Direct Current	Type or a characteristic of current
n_0	No Load Speed	Rotational speed, at no load
	Class II Construction	Double-insulated construction
.../min	Per Minute	Revolutions, strokes, surface speed, orbits etc., per minute
	Wet Conditions Alert	Do not expose to rain or use in damp locations.
	Read The Operator's Manual	To reduce the risk of injury, user must read and understand operator's manual before using this product.
	Eye, Ear, & Breathing Protection	Wear eye, hearing, and breathing protection when operating this equipment.
	Safety Alert	Precautions that involve your safety.
	No Hands Symbol	Failure to keep your hands away from the blade will result in serious personal injury.
	Electrocution	Failure to properly ground can result in electrocution.

SYMBOLS

The following signal words and meanings are intended to explain the levels of risk associated with this product.

SYMBOL	SIGNAL	MEANING
	DANGER:	Indicates an imminently hazardous situation, which, if not avoided, will result in death or serious injury.
	WARNING:	Indicates a potentially hazardous situation, which, if not avoided, could result in death or serious injury.
	CAUTION:	Indicates a potentially hazardous situation, which, if not avoided, may result in minor or moderate injury.
	CAUTION:	(Without Safety Alert Symbol) Indicates a situation that may result in property damage.

SERVICE

Servicing requires extreme care and knowledge and should be performed only by a qualified service technician. For service we suggest you return the product to your nearest **AUTHORIZED SERVICE CENTER** for repair. When servicing, use only identical replacement parts.

WARNING:

To avoid serious personal injury, do not attempt to use this product until you read thoroughly and understand completely the operator's manual. If you do not understand the warnings and instructions in the operator's manual, do not use this product. Call Ryobi customer service for assistance.

WARNING:



The operation of any power tool can result in foreign objects being thrown into your eyes, which can result in severe eye damage. Before beginning power tool operation, always wear safety goggles or safety glasses with side shields and, when needed, a full face shield. We recommend Wide Vision Safety Mask for use over eyeglasses or standard safety glasses with side shields. Always use eye protection which is marked to comply with ANSI Z87.1.

SAVE THESE INSTRUCTIONS

ELECTRICAL

EXTENSION CORDS

Use only 3-wire extension cords that have 3-prong grounding plugs and 3-pole receptacles that accept the tool's plug. When using a power tool at a considerable distance from the power source, use an extension cord heavy enough to carry the current that the tool will draw. An undersized extension cord will cause a drop in line voltage, resulting in a loss of power and causing the motor to overheat. Use the chart provided below to determine the minimum wire size required in an extension cord. Only round jacketed cords listed by Underwriter's Laboratories (UL) should be used.

**Ampere rating (on tool data plate)

0-2.0 2.1-3.4 3.5-5.0 5.1-7.0 7.1-12.0 12.1-16.0

Cord Length	Wire Size (A.W.G.)					
25'	16	16	16	16	14	14
50'	16	16	16	14	14	12
100'	16	16	14	12	10	—

**Used on 12 gauge - 20 amp circuit.

NOTE: AWG = American Wire Gauge

Always use an extension cord that is designed for outside use. This is indicated by the letters "W-A" or "W" on the cord's jacket.

Before using an extension cord, inspect it for loose or exposed wires and cut or worn insulation.

Use only extension cords that are intended for outdoor use. These extension cords are identified by a marking "Acceptable for use with outdoor appliances; store indoors while not in use". Use only extension cords having an electrical rating not less than the rating of the product. Do not use damaged extension cords. Examine extension cord before using and replace if damaged. Do not abuse extension cords and do not yank on any cord to disconnect. Keep cord away from heat and sharp edges. Always disconnect the extension cord from the receptacle before disconnecting the product from the extension cord.

WARNING:

Keep the extension cord clear of the working area. Position the cord so that it will not get caught on lumber, tools or other obstructions while you are working with a power tool. Failure to do so can result in serious personal injury.

WARNING:

Check extension cords before each use. If damaged replace immediately. Never use tool with a damaged cord since touching the damaged area could cause electrical shock resulting in serious injury.

ELECTRICAL CONNECTION

This tool is powered by a precision built electric motor. It should be connected to a **power supply that is 120 V, AC only (normal household current), 60 Hz.** Do not operate this tool on direct current (DC). A substantial voltage drop will cause a loss of power and the motor will overheat. If the saw does not operate when plugged into an outlet, double check the power supply.

SPEED AND WIRING

The no-load speed of this tool is approximately 5,800 rpm. This speed is not constant and decreases under a load or with lower voltage. For voltage, the wiring in a shop is as important as the motor's horsepower rating. A line intended only for lights cannot properly carry a power tool motor. Wire that is heavy enough for a short distance will be too light for a greater distance. A line that can support one power tool may not be able to support two or three tools.

GROUNDING INSTRUCTIONS

See Figure 1, page 17.

This product must be grounded. In the event of a malfunction or breakdown, grounding provides a path of least resistance for electric current to reduce the risk of electric shock. This tool is equipped with an electric cord having an equipment-grounding conductor and a grounding plug. The plug must be plugged into a matching outlet that is properly installed and grounded in accordance with all local codes and ordinances.

Do not modify the plug provided. If it will not fit the outlet, have the proper outlet installed by a qualified electrician.

WARNING:

Improper installation of the grounding plug is able to result in a risk of electric shock. When repair or replacement of the cord is required, do not connect the grounding wire to either flat blade terminal. The wire with insulation having an outer surface that is green with or without yellow stripes is the grounding wire.

Check with a qualified electrician or service personnel if the grounding instructions are not completely understood, or if in doubt as to whether the tool is properly grounded.

Repair or replace a damaged or worn cord immediately.

This product is for use on a nominal 120 volt circuit and has a grounding plug similar to the plug illustrated in figure 1, page 17. Only connect the product to an outlet having the same configuration as the plug. Do not use an adapter with this product.

Ground Fault Circuit Interrupter (GFCI) protection should be provided on the circuit(s) or outlet(s) to be used for the tile saw. Outlets are available having built-in GFCI protection and may be used for this measure of safety.

ELECTRICAL

If the saw is used with an extension cord, ensure the connection of the tool's power cord and the extension cord are not on the ground.

If a protected outlet is not available, do not use the saw until an outlet can be changed or auxiliary protection can be obtained. These auxiliary protection devices are available at your local retailer.

POSITION OF THE TILE SAW

See Figure 2, page 17.

To avoid the possibility of the tool plug or outlet getting wet, position tile saw to one side of a wall-mounted outlet to prevent water from dripping onto the outlet or plug. The operator should arrange a "drip loop" in the cord connecting the saw to the outlet. The "drip loop" is that part of the cord

below the level of the outlet, or the connector if an extension cord is used, to prevent water traveling along the cord and coming in contact with the outlet.

If the plug or outlet does get wet, DO NOT unplug the cord. Disconnect the fuse or circuit breaker that supplies power to the tool then unplug and examine for the presence of water in the outlet.



WARNING:

To reduce the risk of electrocution, keep all connections dry and off the ground. Do not touch the plug with wet hands.

FEATURES

PRODUCT SPECIFICATIONS

Blade Diameter 7 in.
Blade Arbor 5/8 in.
Throat Capacity 9-1/2 in.
Rip Capacity (tile size) 16 in.

Diagonal Capacity (tile size) 12 in.
Maximum Depth of Cut 2-1/4 in.
Rating 120 V~, 60 Hz, 9 Amps
No Load Speed 5,800 r/min. (RPM)

KNOW YOUR TILE SAW

See Figure 3, page 18.

The safe use of this product requires an understanding of the information on the tool and in this operator's manual as well as a knowledge of the project you are attempting. Before use of this product, familiarize yourself with all operating features and safety rules.

7 in. TILE CUTTING WHEEL - A 7 in. tile cutting wheel is included with your saw.



WARNING:

Do not use wheels rated less than the speed of this tool. Failure to heed this warning could result in personal injury.

BEVEL BLOCK - Bevel block supports tile for fast, clean, and consistent 45° edges.

NOTE: Only use bevel block on the right-hand side of the table.

CLEAN WAVE WALL™ - If you purchased the optional pump, the Clean Wave Wall™ system helps prevent sediment from entering the pump to extend pump life.

NOTE: Optional pump sold separately.

EASY GLIDE TABLE™ - For precise and accurate cuts.

END-OF-CUT REMINDER - End cut reminder prevents chips and broken tiles by slowing down the Easy Glide Table at the end of a cut. Also acts as hose holder.

FLOW ADJUSTMENT VALVE - Turns water flow to the cutting wheel either on or off. When used with the optional water pump, this feature becomes a variable flow adjustment.

MOTOR - This machine has a strong motor with sufficient power to handle tough cutting jobs. It also has externally accessible brushes for ease of servicing.

ON/OFF SWITCH - This saw has an easy access power switch located below the front rail. To lock the switch in the **OFF** position, remove the switch key from the switch. Place the key in a location that is inaccessible to children and others not qualified to use the tool.

FEATURES

PUMPLESS FLOW SYSTEM™ - The pumpless flow system sprays clean, fresh water on blade for trouble-free cutting. This fully enclosed water system keeps internal cords and hoses dry and securely out of the way.

RIP GUIDE - Rip guide is fully adjustable for straight and miter cuts.

SPLASH GUARD - The splash guard provides protection from overspray and mist.

UPPER WHEEL GUARD - Protects user from wheel contact on upper portion of wheel.

ASSEMBLY

UNPACKING

This product requires assembly.

- Carefully lift the saw from the carton and place on a level work surface.
- Inspect the tool carefully to make sure no breakage or damage occurred during shipping.
- Do not discard the packing material until you have carefully inspected and satisfactorily operated the tool.
- The saw is factory set for accurate cutting. After assembling it, check for accuracy. If shipping has influenced the settings, refer to specific procedures explained in this manual.
- If any parts are damaged or missing, please call 1-800-525-2579 for assistance.

WARNING:

If any parts are damaged or missing do not operate this tool until the parts are replaced. Failure to heed this warning could result in serious personal injury.

WARNING:

Do not attempt to modify this tool or create accessories not recommended for use with this tool. Any such alteration or modification is misuse and could result in a hazardous condition leading to possible serious personal injury.

WARNING:

Do not connect to power supply until assembly is complete. Failure to comply could result in accidental starting and possible serious personal injury.

INSTALLING MOTOR HEAD ASSEMBLY TO FRAME

See Figure 6, page 19.

- Align the holes in the motor head assembly with the holes on the side of the water tray frame.

- Insert large and small socket head screws and finger tighten.
- Using the hex key, securely tighten the large socket head screws on the side of the water tray frame.
- Tighten the small socket head screws last.

INSTALLING END-OF-CUT REMINDER

See Figure 7, page 19.

The end-of-cut reminder has two purposes: 1) to keep the garden hose secure and out of the way, and, 2) to slow down the Easy Glide Table™ to help prevent tile from cracking and chipping.

- Align the hole in the end-of-cut reminder with the hole in the inside of the back of the water tray frame.
- Using a screw, secure the end-of-cut reminder in place.

INSTALLING SPLASH GUARD

See Figure 8, page 20.

- Align the hole in the splash guard with the hole in the back of the motor head assembly.
- Using the flat washer and screw, secure the splash guard in place.

INSTALLING WATER SUPPLY VALVE TO THE WATER TRAY

See Figure 9, page 20.

- Unscrew the water supply valve cap.
- Place the water supply valve into the hole in the water tray as shown in figure 9.
- Screw the water supply valve cap onto the threaded end of the valve and tighten securely.

INSTALLING TILE SAW TO THE WATER TRAY

See Figure 9, page 20.

- Carefully place the water tray frame inside the water tray. Saw head assembly goes to the back of the frame where the hose connections are located.

ASSEMBLY

INSTALLING CLEAR HOSE TO WATER CONNECTION

See Figure 10, page 20.

- Attach the clear hose into the water supply valve connection on the inside of the water tray.

TILE CUTTING WHEEL

For maximum performance and safety, it is recommended that you use the 7 in. cutting wheel provided with your saw. Additional cutting wheels of the same high quality are available at your local dealer.

WARNING:

Do not use cutting wheels rated less than the no load speed of this tool. Failure to heed this warning could result in personal injury. Do not use wheel with cracks, gaps, or teeth.

WARNING:

To prevent possible electrical hazards, have a qualified electrician check the line if you are not certain that it is properly wired.

INSTALLING TILE CUTTING WHEEL

See Figures 11 - 13, page 20.

WARNING:

A 7 in. tile cutting wheel is the maximum wheel capacity of the saw. Never use a wheel that is too thick to allow wheel washer to engage with the flats on the spindle. Larger wheels will come in contact with the wheel guard, while thicker wheels will prevent the wheel bolt from securing the wheel on the spindle. Either of these situations could result in a serious accident and can cause serious personal injury.

- Unplug the saw.
- Loosen the wheel guard lock.
- Rotate wheel guard back to expose the arbor nut.
- Fit the wheel wrench on the arbor nut then the hex key in the spindle.
- Holding the hex key in place to prevent the wheel from moving, turn the arbor nut counterclockwise. Remove the hex key, wheel wrench, arbor nut and outer washer. **Do not** remove the inner washer.
- Wipe a drop of oil onto inner washer where it contacts the wheel.

WARNING:

If inner washer has been removed, replace it before placing wheel on spindle. Failure to do so could cause an accident since the wheel will not tighten properly. Never use wheels that have openings, grooves, or teeth on this tool.

- Place the cutting wheel onto spindle.
- Replace outer blade washer. The double “D” flats on the blade washers align with the flats on the spindle.
- Using hex key and wheel wrench, tighten arbor nut securely.
- Retighten the wheel guard lock securely.

INSTALLING THE RIP GUIDE

See Figure 14, page 21.

- Place the rip guide in the unlocked position (lever up).
- Fit the rip guide onto the permanent fence on the Easy Glide Table™.
- Lock the rip guide in place by pushing the lever down.

INSTALLING THE BEVEL BLOCK

See Figure 15, page 21.

- Place the bevel block in the unlocked position (lever up).
- Fit the bevel block tab into the slot and onto the permanent fence on the sliding table.
- Lock the bevel block in place by pushing the lever down.

NOTE: The bevel block should only be used on the right side of the Easy Glide Table™.

CONNECTING GARDEN HOSE TO THE TILE SAW

See Figure 16, page 21.

The water supply must come from a fresh water main. NEVER turn the water supply on high.

- Uncoil the garden hose.
- With the water main faucet turned completely off, attach the end of the garden hose to the water supply valve. Tighten by hand.
- Secure hose to the water tray as shown.

The water supply valve provides a convenient on/off for starting, stopping, and adjusting the water flow onto the wheel. When used properly, the water supply valve adjusts the water flow to the perfect, optimal rate.

ASSEMBLY

CONNECTING THE DRAINAGE HOSE

See Figure 17, page 21.

Always place the drainage hose into a small barrel or bucket so debris can drain from water tray.

- Unscrew the cap from the drainage output.

- Attach a drainage hose to the drainage output and place other end of the hose into a bucket or barrel.
- Do not overflow the bucket or spill water on the ground near the machine.
- Discard waste water in accordance with local regulations.

OPERATION

WARNING:

Do not allow familiarity with tools to make you careless. Remember that a careless fraction of a second is sufficient to inflict serious injury.

WARNING:

Always wear safety goggles or safety glasses with side shields when operating power tools. Failure to do so could result in objects being thrown into your eyes resulting in possible serious injury.

WARNING:

Do not use any attachments or accessories not recommended by the manufacturer of this tool. The use of attachments or accessories not recommended can result in serious personal injury.

APPLICATIONS

You may use this tool for the purposes listed below:

- Straight line cutting operations such as cross cutting, mitering, ripping, and beveling

NOTE: This saw is designed to cut man-made tile, pavers, and stone tile products only.

ON/OFF SWITCH

See Figure 18, page 21.

Your saw is equipped with an on/off switch that has a built-in locking feature. This feature is intended to prevent unauthorized and possible hazardous use by children and others.

TO TURN YOUR SAW ON:

- With the switch key inserted into the switch, lift the switch button to turn **ON**.

NOTE: When on/off switch is turned on, immediately turn on the flow adjustment valve.

TO TURN YOUR SAW OFF:

- Press the switch button down to turn **OFF**.

NOTE: When on/off switch is turned off, immediately turn off the flow adjustment valve.

TO LOCK YOUR SAW:

- With the saw turned **OFF**, pull the switch key from the switch and store in a safe, secure location.

WARNING:

In the event of a power failure or when the tool is not in use, turn the switch **OFF** and remove the switch key. This action will prevent the tool from accidentally starting when power returns.

WARNING:

ALWAYS make sure your workpiece is not in contact with the cutting wheel before operating the switch to start the tool. Failure to heed this warning may cause the workpiece to be kicked back toward the operator and result in serious personal injury.

WARNING:

To reduce the risk of accidental starting, **ALWAYS** make sure the switch is in the **OFF** position before plugging tool into the power source.

USING THE RIP GUIDE

See Figure 19, page 22.

The rip guide can be used from both the left and right side of the cutting wheel.

- Place the rip guide in the desired position.
- Push the lever down to lock in place.

To adjust angles:

- Loosen the lock knob.
- Set to the desired angle by moving the lower part of the rip guide left or right.
- Tighten the knob securely before turning on the saw.

OPERATION

USING THE WATER SUPPLY VALVE

See Figure 20, page 22.

The water supply valve allows you to adjust the water flowing onto the wheel.

USING THE FLOW ADJUSTMENT VALVE

See Figure 21, page 22.

When using the pumpless flow system, this valve must be turned on and off immediately following turning the saw on or off.

When using the optional pump (not included), the flow adjustment valve can be used to adjust the flow of water.

MAKING CUTS

Always draw the line to be cut on the tile using a marker or grease pencil. If the tile is shiny and hard-to-mark, place masking tape on the tile and mark the tape.

A common problem when cutting tile is straying from the marked line. Once you've strayed from the mark, you can not force the wheel back to the line by twisting the tile. Instead, back up and recut the tile slicing off a small amount of tile until the wheel is back on track.

To avoid this problem, use the bevel block or rip guide whenever possible. Use the rip guide when making cross cuts and miter cuts and the bevel block for bevel cuts.

TO MAKE A CROSS CUT

See Figure 22, page 22.

Cross cuts are straight 90° cuts. The material is fed into the cut at a 90° angle to the wheel, and the wheel is vertical.

- Using a marker or grease pencil, mark the area to be cut on material.
- Set the rip guide to 0°, tighten the lock knob, and lock in place.
- Place the material on the table and firmly against the rip guide and fence.
- Make sure the material is clear of the cutting wheel before turning on the saw.
- Turn the on/off switch to the **ON** position.
- Turn the flow adjustment valve to the **ON** position.
- Let the cutting wheel build up to full speed and wait for the wheel to get wet before moving the material into the wheel.
- Hold the material firmly against the rip guide and feed the material into the cutting wheel.
- When the cut is made, turn the saw **OFF**. Wait for the cutting wheel to come to a complete stop before removing any part of the material.

TO MAKE A DIAGONAL CUT

See Figure 23, page 22.

Diagonal cuts are also referred to as “long point to long point cuts”.

- Using a marker or grease pencil, mark the area to be cut on material.
- Set the rip guide to the desired angle, lock in place, and tighten the lock knob.
- Place the material on the table and firmly against the rip guide and fence.
- Make sure the material is clear of the cutting wheel before turning on the saw.
- Turn the on/off switch to the **ON** position.
- Turn the flow adjustment valve to the **ON** position.
- Let the cutting wheel build up to full speed and wait for the wheel to get wet before moving the material into the wheel.
- Hold the material firmly against the rip guide and feed the material into the cutting wheel.
- When the cut is made, turn the saw **OFF**. Wait for the cutting wheel to come to a complete stop before removing any part of the material.

TO MAKE A MITER CUT

See Figure 24, page 22.

Miter cuts are used for cutting outside and inside corners on material, decorative chair rail, and base molding with the material at any angle to the wheel other than 90°. Miter cuts tend to “creep” during cutting. This can be controlled by holding the workpiece securely against the rip guide.

- Using a marker or grease pencil, mark the area to be cut on material.
- Set the rip guide to the desired setting, lock in place, and tighten the lock knob.
- Place the material on the table and firmly against the rip guide and fence.
- Make sure the material is clear of the cutting wheel before turning on the saw.
- Turn the on/off switch to the **ON** position.
- Turn the flow adjustment valve to the **ON** position.
- Let the cutting wheel build up to full speed and wait for the wheel to get wet before moving the material into the wheel.
- Hold the material firmly against the rip guide and feed the material into the cutting wheel.
- When the cut is made, turn the saw **OFF**. Wait for the cutting wheel to come to a complete stop before removing any part of the material.

TO MAKE AN L-CUT

See Figure 25, page 23.

L-cuts are cuts that remove a piece of tile to fit in a corner, around a cabinet, or a piece of molding and are made by two separate cuts.

NOTE: Only overcut on the bottom or underneath side of the material being cut.

OPERATION

- Using a marker or grease pencil, mark the area to be cut on both sides of the material.
- Set the rip guide to the desired setting, lock in place, and tighten the lock knob.
- Place the material on the table and firmly against the rip guide and fence.
- Make sure the material is clear of the cutting wheel before turning on the saw.
- Turn the on/off switch to the **ON** position.
- Turn the flow adjustment valve to the **ON** position.
- Let the cutting wheel build up to full speed and wait for the wheel to get wet before moving the material into the wheel.
- Hold the material firmly against the rip guide and feed the material into the cutting wheel.
- Make the cut far enough into the material without over-cutting.
- Turn the material over and make the cut along one of the marks. This time overcut the other line and the cut piece should separate from the rest of the material.
- When the cut is made, turn the saw **OFF**. Wait for the cutting wheel to come to a complete stop before removing any part of the material.

TO MAKE A BEVEL CUT

See Figure 26, page 23.

Beveled 45° cuts can be made with the bevel block.

- Using a marker or grease pencil, mark the area to be cut on material.
- Place the bevel block on the right side of the table at the desired distance from the wheel and lock in place.
- Place the material on the bevel block.
- Make sure the material is clear of the cutting wheel before turning on the saw.
- Turn the on/off switch to the **ON** position.
- Turn the flow adjustment valve to the **ON** position.
- Let the cutting wheel build up to full speed and wait for the wheel to get wet before moving the material into the wheel.
- Hold the material firmly against the bevel block and fence and feed the material into the cutting wheel.
- When the cut is made, turn the saw **OFF**. Wait for the cutting wheel to come to a complete stop before removing any part of the material.

ADJUSTMENTS

WARNING:

Before performing any adjustment, make sure the tool is unplugged from the power supply and the switch is in the OFF position. Failure to heed this warning could result in serious personal injury.

The saw has been adjusted at the factory for making very accurate cuts. However, some of the components might have been jarred out of alignment during shipping. Also, over a period of time, readjustment will probably become necessary due to wear.

Do not start any adjustments until you have checked with a square and made test cuts to be sure adjustments are needed.

TO SQUARE THE CUTTING WHEEL TO THE TABLE

See Figure 27, page 23.

Do not loosen any screws for this adjustment until you have checked with a square and made test cuts to be sure adjustments are necessary. Once the screws are loosened, these items must be reset.

- Unplug the saw.
- Using a 13 mm wrench or adjustable wrench (not included), loosen the hex bolt at the front of the frame and end of the slide rod.

- Move the table until the fence is square with the cutting wheel.
- Tighten the hex bolt securely.

TO ADJUST THE TABLE ROLLERS

See Figure 28, page 23.

If the table doesn't slide smoothly, seems too loose on the slide rod, or moves side to side, adjustments may be required. There are two different sets of shafts that may require adjustment.

To adjust if the table is loose:

- Using a hex key and wrench (not included), loosen the bottom two shafts. These lower shafts can be adjusted up and down on the slide rod.
- If the table still doesn't slide smoothly, loosen the top two shafts.
- Once the rollers are sliding satisfactorily, tighten the screws securely.

To adjust if the rollers are too tight:

- From the side closest to the frame, insert a hex key in the shaft.
- Holding the hex key to keep the shaft from turning, loosen the nylock nuts until the table slides at the desired smoothness.

MAINTENANCE

WARNING:

When servicing, use only identical Ryobi replacement parts. Use of any other parts may create a hazard or cause product damage.

WARNING:

Always wear safety goggles or safety glasses with side shields during power tool operation or when blowing dust. If operation is dusty, also wear a dust mask.

GENERAL MAINTENANCE

Avoid using solvents when cleaning plastic parts. Most plastics are susceptible to damage from various types of commercial solvents and may be damaged by their use. Use clean cloths to remove dirt, dust, oil, grease, etc.

WARNING:

Do not at any time let brake fluids, gasoline, petroleum-based products, penetrating oils, etc., come in contact with plastic parts. Chemicals can damage, weaken or destroy plastic which may result in serious personal injury.

LUBRICATION

All of the bearings in this tool are lubricated with a sufficient amount of high grade lubricant for the life of the unit under normal operating conditions. After extended use, lubricate table rollers and clean the slide rod so the table will slide smoothly.

CLEANING THE SLIDE ROD

During use, the slide rod will become dirty preventing the table rollers from sliding smoothly. It is important to clean the slide rod often using a clean, dry cloth.

MAINTENANCE

BRUSH REPLACEMENT

See Figure 29, page 23.

The saw has externally accessible brush assemblies that should be periodically checked for wear.

Proceed as follows when replacement is required:

- Unplug the saw.

WARNING:

Failure to unplug the saw could result in accidental starting causing serious injury.

- Remove brush cap with a screwdriver. Brush assembly is spring loaded and will pop out when you remove brush cap.
- Remove brush assembly.
- Check for wear. Replace both brushes when either has less than 1/4 in. length of carbon remaining. **Do not** replace one side without replacing the other.
- Reassemble using new brush assemblies. Make sure curvature of brush matches curvature of motor and that brush moves freely in brush tube.
- Make sure brush cap is oriented correctly (straight) and replace.
- Tighten brush cap securely. **Do not** overtighten.

ACCESSORIES

The following recommended accessories are currently available at retail stores:

080009002119 Water Pump

A18WS07 Stand

WARNING:

Current attachments and accessories available for use with this tool are listed above. Do not use any attachments or accessories not recommended by the manufacturer of this tool. The use of attachments or accessories not recommended can result in serious personal injury.

NOTE: FIGURES (ILLUSTRATIONS) START ON PAGE 17 AFTER FRENCH AND SPANISH LANGUAGE SECTIONS.

TABLE DES MATIÈRES

■ Introduction	2
■ Garantie	2
■ Règles de sécurité générales	3-4
■ Règles de sécurité particulières	5
■ Symboles	6-7
■ Caractéristiques électriques	8-9
■ Caractéristiques	9-10
■ Assemblage	10-12
■ Utilisation	12-14
■ Réglages	15
■ Entretien	15-16
■ Accessoires	16
■ Figure numéros (illustrations)	17-20
■ Commande de pièces / réparation	Page arrière

INTRODUCTION

Cet outil offre de nombreuses fonctions destinées à rendre son utilisation plaisante et plus satisfaisante. Lors de la conception de ce produit, l'accent a été mis sur la sécurité, les performances et la fiabilité, afin d'en faire un outil facile à utiliser et à entretenir.

GARANTIE

OUTILS ÉLECTRIQUES RYOBI® – GARANTIE LIMITÉE DE DEUX ANS ET POLITIQUE D'ÉCHANGE DE 30 JOURS

One World Technologies, Inc., garantit ses outils électriques dans les conditions suivantes :

POLITIQUE D'ÉCHANGE DE 30 JOURS : En cas de défaillance due à des vices de matériaux ou de fabrication au cours des 30 jours suivant la date d'achat, l'acheteur pourra faire réparer tout outil électrique RYOBI® au titre de cette garantie ou le retourner l'établissement où il a été acheté. Pour obtenir un outil en échange ou demander la réparation en garantie, l'équipement complet devra être retourné, dans son emballage d'origine, accompagné d'une preuve d'achat. L'outil fourni en échange sera couvert par la garantie limitée pour le restant de la période de validité de deux ans à compter de la date d'achat.

CE QUI EST COUVERT PAR LA GARANTIE : Cette garantie couvre tous les vices de matériaux et de fabrication de cet outil électrique RYOBI®, pour une période de deux ans, à compter de la date d'achat. À l'exception des batteries, les accessoires sont garantis pour une période de quatre-vingt-dix (90) jours. Les batteries sont garanties deux ans.

RÉPARATIONS SOUS GARANTIE : Il suffit de retourner l'outil, correctement emballé, en port payé, à un centre de réparations agréé. L'adresse du centre de réparations agréé le plus proche peut être obtenue en contactant un représentant du service après-vente par courrier, à l'adresse One World Technologies, Inc., P.O. Box 1207, Anderson, SC 29622-1207, par téléphone au 1-800-525-2579 ou par courriel, à l'adresse Internet www.ryobitools.com. Lors de toute demande de réparation sous garantie, une preuve d'achat datée (par exemple un reçu de vente) doit être fournie. Nous nous engageons à réparer tous les défauts de fabrication et à réparer ou remplacer, à notre choix, toutes les pièces défectueuses. Les réparations et remplacements seront gratuits. Les réparations sous garantie seront effectuées dans un délai raisonnable, ne dépassant en aucun cas quatre-vingt-dix (90) jours.

CE QUI N'EST PAS COUVERT : La garantie ne couvre que l'acheteur au détail original et n'est pas transférable. Cette garantie ne couvre que les défauts résultant d'une utilisation normale. Elle ne couvre pas les problèmes de fonctionnement, défaillances ou autres défauts résultant d'un usage incorrect ou abusif, de la négligence, de la modification, de l'altération ou de réparations effectuées par quiconque autre qu'un centre de réparations agréé. One World Technologies, Inc. ne fait aucune autre garantie, représentation ou promesse concernant la qualité et les performances de cet outil électrique, autres que celles expressément indiquées dans le présent document.

AUTRES LIMITATIONS : Toutes les garanties implicites accordées par les lois en vigueur, y compris les garanties de valeur marchande ou d'adéquation à un usage particulier, sont limitées à une durée de deux ans, à compter de la date d'achat. One World Technologies, Inc. déclinant toute responsabilité pour les dommages directs ou indirects, les limitations et exclusions peuvent ne pas s'appliquer à chaque acheteur. Cette garantie donne au consommateur des droits spécifiques, et celui-ci peut bénéficier d'autres droits, qui varient selon les états ou provinces.

RÈGLES DE SÉCURITÉ GÉNÉRALES



AVERTISSEMENT :

Lire et veiller à bien comprendre toutes les instructions. Le non respect de toutes les instructions ci-dessous peut entraîner un choc électrique, un incendie et / ou des blessures graves.

LIRE TOUTES LES INSTRUCTIONS

- **VEILLER À BIEN CONNAÎTRE L'OUTIL.** Lire attentivement le manuel d'utilisation. Apprendre les applications et les limites de l'outil, ainsi que les risques spécifiques relatifs à son utilisation.
- **SE PROTÉGER DES CHOCS ÉLECTRIQUES EN ÉVITANT TOUT CONTACT DU CORPS AVEC DES SURFACES MISES À LA TERRE.** Par exemple : tuyaux, radiateurs, cuisinières, réfrigérateurs.
- **MAINTENIR TOUS LES DISPOSITIFS DE PROTECTION EN PLACE** et en bon état de fonctionnement.
- **RETIRER LES CLÉS ET OUTILS DE RÉGLAGE.** Prendre l'habitude de vérifier que tous les outils et clés de réglage en ont été retirés de l'outil avant de le mettre en marche.
- **GARDER LE LIEU DE TRAVAIL PROPRE.** Les établis encombrés et les endroits sombres sont propices aux accidents. **NE PAS** laisser d'outils ou de pièces de bois sur la machine en fonctionnement.
- **NE PAS UTILISER DANS UN ENVIRONNEMENT DANGEREUX.** Ne pas utiliser les outils électriques dans des endroits mouillés ou humides, ne pas les exposer à la pluie. Garder le lieu de travail bien éclairé.
- **GARDER LES ENFANTS ET VISITEURS À L'ÉCART.** Tous les visiteurs doivent porter des lunettes de sécurité et se tenir à bonne distance de la zone de travail. Ne pas laisser les visiteurs toucher l'outil ou son cordon d'alimentation pendant le fonctionnement.
- **ASSURER LA SÉCURITÉ DES ENFANTS** dans l'atelier en installant des cadenas et des disjoncteurs ou en retirant les clés de contact.
- **NE PAS FORCER L'OUTIL.** Il exécutera le travail mieux et de façon moins dangereuse s'il fonctionne dans les limites prévues.
- **UTILISER L'OUTIL APPROPRIÉ.** Ne pas utiliser l'outil ou un accessoire pour effectuer un travail pour lequel il n'est pas conçu.
- **UTILISER UN CORDON PROLONGATEUR ADÉQUAT.** S'assurer que le cordon prolongateur est en bon état. Utiliser exclusivement un cordon d'une capacité suffisante pour supporter le courant de fonctionnement de l'outil. Un cordon de capacité insuffisante causerait une baisse de la tension de ligne, entraînant une perte de puissance et une surchauffe. Un calibre de fil (A.W.G) d'au minimum **14** est recommandé pour un cordon prolongateur de 7,6 mètres (25 pi) ou moins. En cas de doute, utiliser un cordon du calibre immédiatement supérieur. Moins le numéro de calibre est élevé, plus la capacité du fil est grande.
- **PORTER UNE TENUE APPROPRIÉE.** Ne pas porter de vêtements amples, cravates, ou bijoux susceptibles de se prendre et vous entraîner dans

les pièces mobiles. Des gants en caoutchouc et des chaussures antidérapantes (carter en caoutchouc) sont recommandées pour le travail à l'extérieur. Les cheveux longs doivent être ramassés sous un couvre-chef.

- **TOUJOURS PORTER DES LUNETTES DE SÉCURITÉ À COQUES LATÉRALES.** Les lunettes de vue ordinaires sont munies seulement de verres résistants aux impacts ; ce ne sont **PAS** des lunettes de sécurité.
- **ASSUJETTIR LES PIÈCES.** Dans la mesure du possible, utiliser des serre-joint ou un étau, ce qui réduit les risques et laisse les deux mains libres pour contrôler l'outil.
- **NE PAS TRAVAILLER HORS DE PORTÉE.** Toujours se tenir bien campé et en équilibre.
- **ENTREtenir SOIGNEUSEMENT LES OUTILS.** Garder les outils bien affûtés et propres pour accroître la sécurité et les performances. Suivre les instructions de lubrification et de changement d'accessoires.
- **DÉBRANCHER TOUS LES OUTILS.** Tous les outils doivent être débranchés lorsqu'ils ne sont pas en usage et avant toute opération d'entretien ou de changement d'accessoire, lame, forer, fers, etc.
- **ÉVITER LES DÉMARRAGES ACCIDENTELS.** S'assurer que le commutateur est en position d'arrêt avant de brancher un outil.
- **UTILISER LES ACCESSOIRES RECOMMANDÉS.** Voir les accessoires recommandés dans le manuel d'utilisation. L'usage de tout accessoire incorrect peut être dangereux.
- **NE JAMAIS MONTER SUR L'OUTIL.** Un basculement de l'outil ou le contact accidentel avec l'accessoire de coupe peut causer des blessures graves.
- **VÉRIFIER L'ÉTAT DES PIÈCES.** Avant d'utiliser l'outil de nouveau examiner soigneusement les pièces et dispositifs de protection qui semblent endommagés afin de déterminer s'ils fonctionnent correctement et s'ils remplissent les fonctions prévues. Vérifier l'alignement des pièces mobiles, s'assurer qu'aucune pièce n'est bloquée ou cassée, vérifier la fixation de chaque pièce et s'assurer qu'aucun autre problème ne risque d'affecter le bon fonctionnement de l'outil. Pour éviter les risques de blessures, toute protection ou pièce endommagée doit être correctement réparée ou remplacée dans un centre de réparations agréé.
- **ENGAGER LES PIÈCES DANS LE SENS CORRECT.** La pièce ne doit être engagée que contre le sens de rotation de la lame, de l'accessoire ou de la toupie de ponçage.
- **NE JAMAIS LAISSER L'OUTIL EN FONCTIONNEMENT SANS SURVEILLANCE. COUPER L'ALIMENTATION ÉLECTRIQUE.** Ne pas s'éloigner de l'outil avant qu'il soit parvenu à un arrêt complet.
- **PORTER UNE PROTECTION RESPIRATOIRE.** Porter un masque facial ou respiratoire si le travail produit de la poussière.
- **PORTER UNE PROTECTION AUDITIVE.** Porter une protection auditive durant les périodes d'utilisation prolongée.

RÈGLES DE SÉCURITÉ GÉNÉRALES








- **NE PAS MALTRAITER LE CORDON D'ALIMENTATION.** Ne jamais utiliser le cordon d'alimentation pour transporter l'outil et ne jamais débrancher ce dernier en tirant sur le cordon. Garder le cordon à l'écart de la chaleur, de l'huile et des objets tranchants.
- **TOUJOURS UTILISER UN CORDON SPÉCIALEMENT CONÇU À CET EFFET, MARQUÉ « W-A » OU « W ».** Ces cordons réduisent les risques de choc électrique.
- **TOUJOURS GARDER LA PROTÈGE-MEULE EN PLACE** et en bon état de fonctionnement.
- **GARDER LES MAINS À L'ÉCART DE LA ZONE DE COUPE.** Ne placer en aucun cas la main ou les doigts au-dessous de la pièce à couper ou sur la trajectoire de la meule. Toujours éteindre la scie.
- **LES MUELES CONTINUENT DE TOURNER EN ROUE LIBRE UNE FOIS QUE LA SCIE EST ÉTEINTE.**
- **NE JAMAIS UTILISER CET OUTIL DANS UNE ATMOSPHÈRE EXPLOSIVE.** Les étincelles normalement produites par le moteur pourraient enflammer les vapeurs.
- **INSPECTER RÉGULIÈREMENT LES CORDONS DE L'OUTIL.** Faire remplacer tout commutateur défectueux par un technicien qualifié ou un centre de réparations agréé. Le fil à gaine verte, avec ou sans traceur jaune est le fil de terre. Si le cordon doit être réparé ou remplacé, ne pas connecter le fil de terre de l'outil sur une borne sous tension. Tout cordon endommagé doit être réparé ou remplacé immédiatement. Toujours rester conscient de l'emplacement du cordon et veiller à le tenir à l'écart de la meule en rotation.
- **INSPECTER RÉGULIÈREMENT LES CORDONS PROLONGATEURS** et les remplacer s'ils sont endommagés.
- **METTRE TOUS LES OUTILS À LA TERRE.** Si un outil est équipé d'une fiche à trois broches, il doit être branché sur une prise secteur à trois trous.
- **CONSULTER UN ÉLECTRICIEN QUALIFIÉ** ou le personnel de service si les instructions de mise à la terre ne sont pas bien comprises, ou en cas de doute au sujet de la mise à la terre.
- **N'UTILISER QUE DES ACCESSOIRES ÉLECTRIQUES APPROPRIÉS :** Utiliser exclusivement des cordons prolongateurs à 3 fils doté d'une fiche à prise de terre branchés sur une prise triphasée compatible avec la fiche de l'outil.
- **NE PAS MODIFIER** la fiche fournie. Si elle ne peut pas être insérée dans la prise secteur, faire installer une prise adéquate par un électricien qualifié.
- **GARDER L'OUTIL SEC, PROPRE ET EXEMPT D'HUILE OU DE GRAISSE.** Toujours utiliser un chiffon propre pour le nettoyage. Ne jamais utiliser de liquide de freins, d'essence ou de produits à base de pétrole pour nettoyer l'outil.
- **RESTER VIGILANT ET GARDER LE CONTRÔLE.** Se montrer attentif et faire preuve de bon sens. Ne pas utiliser l'outil en état de fatigue. Ne pas se presser.
- **NE PAS UTILISER L'OUTIL SI LE COMMUTATEUR NE PERMET PAS DE LE METTRE EN MARCHÉ OU DE L'ARRÊTER.** Faire remplacer les commutateurs défectueux dans un centre de réparations agréé.
- **N'UTILISER QUE LES MUELES APPROPRIÉES.** Ne pas utiliser de muelles dont le trou n'est pas de la taille correcte. Ne jamais utiliser de rondelles ou boulons de meule défectueux ou de type incorrect. La taille maximum de meule pouvant être utilisée sur cet outil est de 178 mm (7 po).
- **S'ASSURER QUE TOUS LES DISPOSITIFS DE PROTECTION FONCTIONNENT CORRECTEMENT AVANT D'EFFECTUER UNE COUPE.**
- **NE JAMAIS TOUCHER LA MUELE** ou les pièces en mouvement pendant le fonctionnement.
- **NE JAMAIS METTRE UN OUTIL EN MARCHÉ LORSQU'UNE PIÈCE EN ROTATION QUELCONQUE EST EN CONTACT AVEC LA PIÈCE À COUPER.**
- **NE PAS UTILISER CET OUTIL SOUS L'INFLUENCE DE L'ALCOOL, DE DROGUES OU DE MÉDICAMENTS.**
- Utiliser exclusivement des pièces identiques à celles d'origine **POUR LES RÉPARATIONS.** L'usage de toute autre pièce pourrait créer une situation dangereuse ou endommager l'outil.
- **UTILISER EXCLUSIVEMENT LES ACCESSOIRES RECOMMANDÉS** dans ce manuel ou ses addendas. L'emploi de tout accessoire non recommandé peut présenter un risque de blessure. Les instructions de sécurité d'utilisation sont fournies avec les accessoires.
- **VÉRIFIER DEUX FOIS TOUS LES RÉGLAGES.** S'assurer que la lame est bien serrée et ne touche ni la scie, ni la pièce à couper avant de brancher la scie sur le secteur.

RÈGLES DE SÉCURITÉ PARTICULIÈRES

- **TOUJOURS ASSUJETTIR LA PIÈCE À COUPER** fermement contre le guide de bord ou le bois de biseau.
- **NE JAMAIS** se tenir ou laisser une partie du corps se trouver dans la trajectoire de la meule.
- **NE JAMAIS** essayer de débloquer une meule coincées avant d'avoir **ÉTEINT** et débranché la scie.
- **SILE CORDON D'ALIMENTATION EST ENDOMMAGÉ**, il doit être remplacé uniquement pas le fabricant ou par un centre de réparation agréé pour éviter tout risque.
- **ÉVITER LES OPÉRATIONS ET POSITIONS INCOMMODES** posant un risque de glissement soudain de la main vers la lame. **TOUJOURS** se tenir bien en équilibre. **NE JAMAIS** utiliser la scie à onglets sur le sol ou en se tenant accroupi.
- **S'ASSURER QUE LA ZONE DE TRAVAIL EST SUFFISAMMENT ÉCLAIRÉE** pour voir ce que l'on fait et qu'aucun obstacle ne peut nuire à la sécurité d'utilisation **AVANT** d'effectuer quelque coupe que ce soit.
- **TOUJOURS ÉTEINDRE LA SCIE** avant de la débrancher pour éviter un démarrage accidentel lors du branchement pour l'utilisation suivante. **NE JAMAIS** laisser la scie branchée sans surveillance.
- Les avertissements ci-dessous doivent être apposés sur **CET OUTIL** :
 - a) Porter une protection oculaire.
 - b) Utiliser protection éclatement pour chaque opération pour laquelle il peut être utilisé.
 - c) Couper l'alimentation électrique avant d'effectuer l'entretien, lors du remplacement de la meule ou du nettoyage.
 - d) Utiliser l'outil avec le bord lisse meule de coupe des ouvertures et des rainures.
 - e) Remplacer endommagé meule de coupe avant de opération
 - f) Ne pas remplir le réservoir d'eau au-delà de la ligne de remplissage maximal.
- **CONSERVER CES INSTRUCTIONS.** Les consulter fréquemment et les utiliser pour instruire les autres utilisateurs. Si cet outil est prêté, il doit être accompagné de ces instructions.




SYMBOLES

Certains des symboles ci-dessous peuvent être utilisés sur l'outil. Veiller à les étudier et à apprendre leur signification. Une interprétation correcte de ces symboles permettra d'utiliser l'outil plus efficacement et de réduire les risques.

SYMBOLE	NOM	DÉSIGNATION / EXPLICATION
V	Volts	Tension
A	Ampères	Intensité
Hz	Hertz	Fréquence (cycles par seconde)
W	Watts	Puissance
min	Minutes	Temps
~	Courant alternatif	Type de courant
==	Courant continu	Type ou caractéristique du courant
n_0	Vitesse à vide	Vitesse de rotation à vide
	Construction de classe II	Construction à double isolation
.../min	Par minute	Tours, coups, vitesse périphérique, orbites, etc., par minute
	Avertissement concernant l'humidité	Ne pas exposer l'outil à la pluie ni à l'humidité.
	Lire le manuel d'utilisation	Pour réduire les risques de blessures, l'utilisateur doit lire et veiller à bien comprendre le manuel d'utilisation avant d'utiliser ce produit.
	Protection oculaire, auditive et respiration	Porter une protection oculaire, auditive et respiration pendant l'utilisation de ce matériel.
	Symbole d'alerte de sécurité	Précautions destinées à assurer la sécurité.
	Symbole Mains à l'écart	Le non respect de cette mise en garde peut entraîner des blessures graves.
	Électrocution	Une mauvaise mise à la terre peut causer une électrocution.

SYMBOLES

Les termes de mise en garde suivants et leur signification ont pour but d'expliquer le degré de risques associé à l'utilisation de ce produit.

SYMBOLE	SIGNAL	SIGNIFICATION
	DANGER :	Indique une situation extrêmement dangereuse qui, si elle n'est pas évitée, aura pour conséquences des blessures graves ou mortelles.
	AVERTISSEMENT :	Indique une situation potentiellement dangereuse qui, si elle n'est pas évitée, pourrait entraîner des blessures graves ou mortelles.
	ATTENTION :	Indique une situation potentiellement dangereuse qui, si elle n'est pas évitée, pourrait entraîner des blessures légères ou de gravité modérée.
	ATTENTION :	(Sans symbole d'alerte de sécurité) Indique une situation pouvant entraîner des dommages matériels.

DÉPANNAGE

Le dépannage exigeant des précautions extrêmes et la connaissance du système, il ne doit être confié qu'à un technicien de service qualifié. En ce qui concerne les réparations, nous recommandons de confier l'outil au **CENTRE DE RÉPARATIONS AGRÉÉ** le plus proche. Utiliser exclusivement des pièces identiques à celles d'origine pour les réparations.

AVERTISSEMENT :

Pour éviter des blessures graves, ne pas essayer d'utiliser ce produit avant d'avoir lu entièrement et bien compris toutes les instructions contenues dans le manuel d'utilisation. Si tous les avertissements et toutes les consignes de sécurité et instructions du manuel d'utilisation ne sont pas bien compris, ne pas utiliser ce produit. Appeler le service après-vente Ryobi.

AVERTISSEMENT :



L'utilisation de tout outil motorisé peut entraîner la projection d'objets dans les yeux et causer des lésions oculaires graves. Lors de l'utilisation d'outils motorisés, toujours porter des lunettes de sécurité à coques latérales ou, si nécessaire, un masque facial intégral. Nous recommandons d'utiliser un masque facial à champ de vision élargi, plutôt que des lunettes de vue ou des lunettes de sécurité munies d'écrans latéraux. Toujours porter une protection oculaire certifiée conforme à la norme ANSI Z87.1.

CONSERVER CES INSTRUCTIONS

CARACTÉRISTIQUES ÉLECTRIQUES

CORDONS PROLONGATEURS

Utiliser exclusivement des cordons prolongateurs à 3 fils doté d'une fiche à prise de terre branchés sur une prise triphasée compatible avec la fiche de l'outil. Lors de l'utilisation d'un outil électrique à grande distance d'une prise secteur, veiller à utiliser un cordon prolongateur d'une capacité suffisante pour supporter l'appel de courant de l'outil. Un cordon de capacité insuffisante causerait une baisse de la tension de ligne, entraînant une perte de puissance et une surchauffe. Se reporter au tableau ci-dessous pour déterminer le calibre minimum de fil requis pour un cordon donné. Utiliser exclusivement des cordons à gaine cylindrique homologués par Underwriter's Laboratories (UL).

**Intensité nominale (sur la plaquette signalétique de l'outil)

Longueur du cordon	Calibre de fil (A.W.G.)					
	0-2.0	2.1-3.4	3.5-5.0	5.1-7.0	7.1-12.0	12.1-16.0
25'	16	16	16	16	14	14
50'	16	16	16	14	14	12
100'	16	16	14	12	10	—

**Utilisé sur circuit de calibre 12 – 20 A

NOTE : AWG = American Wire Gauge

Pour les travaux à l'extérieur, utiliser un cordon prolongateur spécialement conçu à cet effet. La gaine des cordons de ce type porte l'inscription « W-A » ou « W ».

Avant d'utiliser un cordon prolongateur, vérifier que ses fils ne sont ni détachés ni exposés et que son isolation n'est ni coupée, ni usée.

N'utiliser que des rallonges électriques conçues pour être utilisées à l'extérieur. Ces rallonges sont identifiées par une étiquette "Peut être utilisée avec des appareils de plein air. Ranger à l'intérieur lorsqu'elle n'est pas utilisée." Ne pas utiliser de rallonges endommagées. Examiner la rallonge avant de l'utiliser et la remplacer si elle est endommagée. Ne pas maltraiter les rallonges électriques et ne pas les tirer brusquement pour les débrancher. Garder les rallonges loin de toute source de chaleur et d'arêtes vives. Toujours débrancher la rallonge de la prise de courant avant de débrancher l'appareil de la rallonge.

AVERTISSEMENT :

Maintenir le cordon prolongateur à l'écart de la zone de travail. Lors du travail avec un cordon électrique, placer le cordon de manière à ce qu'il ne risque pas de se prendre dans les pièces de bois, outils et autres obstacles. Ne pas prendre cette précaution peut entraîner des blessures graves.

AVERTISSEMENT :

Vérifier l'état des cordons prolongateurs avant chaque utilisation. Remplacer immédiatement tout cordon endommagé. Ne jamais utiliser un outil dont le cordon d'alimentation est endommagé, car tout contact avec la partie endommagée pourrait causer un choc électrique et des blessures graves.

CONNEXION ÉLECTRIQUE

Cet outil est équipé d'un moteur électrique de précision. Il doit être branché uniquement sur une **alimentation 120 V, c.a. (courant résidentiel standard), 60 Hz**. Ne pas utiliser cet outil sur une source de courant continu (c.c.). Une chute de tension importante causerait une perte de puissance et une surchauffe du moteur. Si l'outil ne fonctionne pas une fois branché, vérifier l'alimentation électrique.

VITESSE ET CÂBLAGE

La vitesse à vide de cet outil est d'environ 5 800 tr/min. La vitesse n'est pas constante et elle diminue sous une charge ou en présence d'une baisse de tension. Le câblage de l'atelier est aussi important que la puissance nominale du moteur. Une ligne conçue seulement pour l'éclairage ne peut pas alimenter correctement le moteur d'un outil électrique. Un fil électrique d'une capacité suffisante pour une courte distance ne le sera pas nécessairement pour une distance plus longue. Une ligne dont la capacité est suffisante pour un outil électrique ne l'est pas nécessairement pour deux ou trois.

INSTRUCTIONS DE MISE À LA TERRE

Voir la figure 1, page 17.

Ce produit doit être fondé. En cas de problème de fonctionnement ou de panne, la mise à la terre fournit un chemin de résistance au courant électrique, pour réduire le risque de choc électrique. Cet produit est équipé d'un cordon électrique avec conducteur et fiche de mise à la terre. Le cordon doit être branché sur une prise correctement installée et mise à la terre conformément à tous les codes et réglementations locaux en vigueur.

Ne pas modifier la fiche fournie. Si elle ne peut pas être insérée dans la prise secteur, faire installer une prise adéquate par un électricien qualifié.

AVERTISSEMENT :

L'usage d'un cordon prolongateur incorrect peut présenter des risques de choc électrique. Si le cordon doit être réparé ou remplacé, ne pas connecter le fil de terre de l'outil sur une borne sous tension. Le fil à gaine verte, avec ou sans traceur jaune est le fil de terre.

Consulter un électricien qualifié ou le personnel de service si les instructions de mise à la terre ne sont pas bien comprises, ou en cas de doute au sujet de la mise à la terre.

CARACTÉRISTIQUES ÉLECTRIQUES

Tout cordon endommagé doit être réparé ou remplacé immédiatement.

Ce produit est pour l'usage sur un nominal 120 circuit de volt et a un fonder bouche similaire au bouchon illustré dans la figure 1, page 17. Seulement connecter le produit à une sortie ayant la même configuration comme le bouchon. Ne pas utiliser un adaptateur avec ce produit.

Les circuits utilisés avec la tondeuse devraient être munis d'un interrupteur de défaut à la terre. Des connecteurs avec un interrupteur de défaut à la terre sont disponibles et peuvent être utilisés pour satisfaire à cette mesure de sécurité.

Si la scie est utilisée avec une cordon prolongateur, garantir la connexion du cordon d'alimentation de l'outil et la cordon prolongateur n'est pas par terre.

Si une sortie protégée n'est pas disponible, ne pas utiliser la scie jusqu'à ce qu'une sortie peut être changée ou la protection auxiliaire peut être obtenue. Ces appareils auxiliaires de protection sont disponibles à votre détaillant local.

PLACER DE LA SCIE À CARREAUX

Voir la figure 2, page 17.

Afin d'éviter de mouiller la fiche de l'appareil ou la prise de courant, placer la scie à carreaux du côté d'une prise de courant murale afin d'empêcher l'eau de s'égoutter dans la prise ou la fiche. L'utilisateur doit arranger une boucle d'égouttement dans le cordon reliant la scie à la prise de courant. La boucle d'égouttement est la partie du cordon qui se trouve sous le niveau de la prise, ou du connecteur dans le cas d'utilisation d'une rallonge, pour empêcher l'eau de s'égoutter le long du cordon et d'entrer en contact avec la prise.

Si la fiche ou la prise entrent en contact avec de l'eau NE PAS débrancher le cordon. Débrancher le fusible ou le disjoncteur qui alimentent l'outil. Ensuite, débrancher l'appareil et vérifier s'il y a de l'eau dans la prise.



AVERTISSEMENT :

Pour réduire le risque d'électrocution, garder toutes les connexions sèches et dégagées du sol. Ne pas toucher à la fiche lorsque les mains sont mouillées.

CARACTÉRISTIQUES

FICHE TECHNIQUE

Diamètre de la lame..... 7 po
Arbre de la lame 5/8 po
Capacité de la gorge 9-1/2 po
Capacité de refente (carreaux la taille) 16 po

Capacité de diagonale (carreaux la taille)..... 12 po
Profondeur de coupe maximum..... 2-1/4 po
Alimentation nominale 120 V~, 60 Hz, 9 A
Vitesse à vide 5 800 r/min (RPM)

POUR SE FAMILIARISER AVEC LA SCIE À CARREAUX

Voir la figure 3, page 18.

L'utilisation sûre de ce produit exige une compréhension des renseignements figurant sur l'outil et contenus dans le manuel d'utilisation, ainsi qu'une bonne connaissance du projet entrepris. Avant d'utiliser ce produit, se familiariser avec toutes ses fonctions et règles de sécurité.

7 po MEULE À CARREAUX - 7 po meule à carreaux est inclus avec votre scie



AVERTISSEMENT :

Ne pas utiliser de muelas dont la vitesse de rotation nominale est inférieure à celle de l'outil. Ne pas prendre cette précaution pourrait entraîner des blessures graves.

BOIS DE BISEAU - Bois de biseau supporte les carreaux pour tailler rapidement des rebords à 45 ° uniformes et sans bavures.

NOTE : Utiliser seulement le bois de biseau sur le côté droit de la table.

CLEAN WAVE WALL™ - Si vous avez acheté la pompe facultative, le dispositif Clean Wave Wall™ empêche les sédiments de s'infiltrer dans la pompe en marche, ce qui en prolonge la durée de vie.

NOTE : pompe en option vendus séparément.

EASY GLIDE TABLE™ - Pro pour des coupes précises.

RAPPEL DE FIN DE COUPE - Éviter les ébréchantures et les bris de carreaux grâce au rappel de fin de coupe en ralentissant le Easy Glide Table™ à la fin d'une coupe. Sert aussi du porte-tuyau.

CARACTÉRISTIQUES

COULER LA SOUPAPE D'AJUSTEMENT - Les virages d'eau le flux à la muela de coupe sur marche ou arrêt. Quand utilisé avec la pompe d'eau en option, cette caractéristique devient un ajustement de flux variable.

MOTEUR - Cette scie est équipée d'un moteur de 15 ampères assez puissant pour effectuer les coupes les plus difficiles. Doté de balais accessibles de l'extérieur pour faciliter leur remplacement.

INTERRUPTEUR MARCHÉ/ARRÊT - La scie est dotée d'un commutateur marche/arrêt facile d'accès se trouvant au-dessous du rail avant. Pour verrouiller le commutateur en position **ARRÊT**, retirer la clé du commutateur. Placer la clé dans un lieu inaccessible aux enfants et personnes non qualifiées pour utiliser l'outil.

PUMPLESS FLOW SYSTEM™ - maintient la hoja lubricada con agua limpia y pura para permitir cortar sin problemas. Grâce au système fermé d'alimentation en eau, les conduites demeurent bien rangées et à l'écart.

GUIDE DE BORD - Guide de bord est entièrement réglable pour des coupes droites et d'onglet parfaites.

PROTECTION ÉCLABOUSSER - Protection éclabousser fournit la protection d'overspray et de la brume.

PROTÈGE-DISQUE SUPÉRIEUR - Protège l'utilisateur du contact de muela sur la portion supérieure de muela.

ASSEMBLAGE

DÉBALLAGE

Ce produit doit être assemblé.

- Sortir soigneusement la scie du carton et la poser sur un plan de travail horizontal.
- Examiner soigneusement l'outil pour s'assurer que rien n'a été brisé ou endommagé en cours de transport.
- Ne pas jeter les matériaux d'emballage avant d'avoir soigneusement examiné l'outil et avoir vérifié qu'il fonctionne correctement.
- La scie est réglée en usine pour effectuer une coupe précise. Après l'avoir assemblée, vérifier sa précision. Si les réglages ont été modifiés en cours d'expédition, voir les procédures spécifiques présentées dans ce manuel.
- Si des pièces sont manquantes ou endommagées, appeler le 1-800-525-2579.

AVERTISSEMENT :

Si des pièces manquent ou sont endommagées, ne pas utiliser cet outil avant qu'elles aient été remplacées. Le non-respect de cet avertissement pourrait entraîner des blessures graves.

AVERTISSEMENT :

Ne pas essayer de modifier cet outil ou de créer des accessoires non recommandés pour l'outil. De telles altérations ou modifications sont considérées comme un usage abusif et peuvent créer des conditions dangereuses, risquant d'entraîner des blessures graves.

AVERTISSEMENT :

Ne pas brancher sur le secteur avant d'avoir terminé l'assemblage. Le non-respect de cet avertissement peut causer un démarrage accidentel, entraînant des blessures graves.

INSTALLATION ENSEMBLE DU MOTEUR DE TÊTE POUR BÂTI

Voir la figure 6, page 19.

- Aligner les trous dans ensemble du moteur de tête avec les trous sur le bâti d'eau.
- Insérer les grandes et petites vis de tête creuse et serrer à la main.
- L'utilisation la clé hexagonale, serrer fermement les grandes vis à tête creuse sur le côté du bâti d'eau.
- Resserrer les petites vis de tête creuse durent.

INSTALLATION RAPPEL DE FIN DE COUPE

Voir la figure 7, page 19.

La rappel de fin de coupe a deux buts : 1) garder le tuyau de jardin obtient et à un endroit où il ne vous gênera pas, et, 2) ralentir le Easy Glide Table™ pour aider empêcher le carreau de craquer et d'écailler.

- Aligner le trou au rappel de fin de coupe avec le trou dans l'intérieur du dos du cadre de bâti d'eau.
- L'utilisation d'une vis, obtenir la rappel de fin de coupe à sa place.

INSTALLATION PROTECTION ÉCLABOUSSER

Voir la figure 8, page 20.

- Aligner le trou dans protection éclabousser avec le trou dans le dos de la ensemble du moteur de tête.
- L'utilisation de la rondelle plate et la vis, obtenir protection éclabousser à sa place.

ASSEMBLAGE

INSTALLATION ARROSER LA SOUPAPE DE PROVISION DANS PLATEAU D'EAU

Voir la figure 9, page 20.

- Dévisser capuchon de arroser la soupape de provision.
- Placer le arroser la soupape de provision dans le trou dans plateau d'eau comme illustré la figure 9.
- Enroser le capuchon de arroser la soupape de provision et le fin filetage de la válvula et le serrer solidement.

INSTALLATION SCIE À CARREAUX DANS PLATEAU D'EAU

Voir la figure 9, page 20.

- Soigneusement placer le bâti d'eau dans le plateau d'eau. Ensemble du moteur de tête va au dos du bâti où les connexions de tuyau sont localisées.

INSTALLATION FLEXIBLE TRANSPARENT DANS ARROSER LA CONNEXION

Voir la figure 10, page 20.

- Attacher le tuyau transparent dans la arroser la soupape de provision sur l'intérieur du plateau d'eau.

MEULE À CARREAUX

Para rendement maximum et sécurité, Il est conseillé de n'utiliser que le muele de coupe 7 po est fournie avec la scie. Il existe d'autres modèles de muelles de la même qualité prévues pour votre distributeur local.

AVERTISSEMENT :

Ne pas utiliser de muelles dont la vitesse à vide de rotation nominale est inférieure à celle de l'outil. Le non-respect de cet avertissement pourrait entraîner des blessures graves. Ne jamais utiliser des meules qui ont des ouvertures, des rainures, ou des dents sur cet outil.

AVERTISSEMENT :

Encas d'incertitude concernant le câblage, faire vérifier la ligne par un électricien qualifié afin d'éviter tout danger électrique.

INSTALLATION MEULE À CARREAUX

Voir les figures 11 - 13, page 20.

AVERTISSEMENT :

Cette scie n'utilise que des muelles dont la largeur maximale de 7 po. Ne jamais utiliser une muele trop épaisse car elle empêcherait la rondelle extérieure de la muele de s'engager sur les méplats de la broche. Des muelles de trop grand diamètre toucheraient les protections de muele et des lames trop épaisses empêcheraient le boulon de maintenir la muele sur la broche. Ces deux situations peuvent causer un accident et des blessures graves.

- Débrancher la scie.
- Desserrer la protège-meule de blocage.
- Tourner la protège-meule de blocage pour exposer le broche.
- Ajuster la clé de meule sur le écrou d'arbre alors la clef de sort dans le broche.
- Lorsque de la clé hexagonal à sa place pour empêcher la muele du déménagement, tournant vers la droite écrou d'arbre. Retirer clé hexagonale, clé de meule, écrou d'arbre et rondelle extérieure. **Ne pas** retirer la rondelle intérieure.
- Appliquer une goutte d'huile sur la surface de contact des rondelles intérieure.

AVERTISSEMENT :

Si la rondelle intérieure de la muele a été retirée, la remettre en place avant d'installer la muele sur la broche. L'absence de cette pièce pourrait provoquer un accident car la muele ne serait pas correctement serrée.

- Placer la muele de coupe sur le broche.
- Remettre en place la rondelle de lame extérieure. Les deux méplats en « D » des rondelles de lame s'alignent sur les méplats de la broche.
- À l'aide de la clé hexagonale et clé de meule, serrer fermement la écrou d'arbre.
- Bien resserrer le protège-meule de blocage.

INSTALLATION GUIDE DE BORD

Voir la figure 14, page 21.

- Placer le guide de bord en la posición déverrouillée (levier en haut).
- Mettre le guide de bord sur la guide permanente le Easy Glide Table™.
- Verrouiller le guide de bord en appuyant le levier.

INSTALLATION BOIS DE BISEAU

Voir la figure 15, page 21.

- Placer le bois de biseau en la posición déverrouillée (levier en haut).
- Mettre le bois en biseau la languette dans la fente et sur la guide permanente le de table coulissante.
- Verrouiller le bois de biseau en appuyant le levier.

NOTE : Utiliser seulement le bois de biseau sur le côté droit de la Easy Glide Table™.

ASSEMBLAGE

CONNEXION DU TUYAU D'ARROSAGE AU SCIE À CARREAUX

Voir la figure 16, page 21.

L'alimentation en eau doit venir d'une conduite d'arrivée d'eau fraîche. Ne JAMAIS le robinet haut.

- Dérouler le tuyau d'arrosage.
- Le robinet de tuyau étant complètement coupé, fixer l'extrémité du tuyau d'arrosage à l'arrivée d'eau.. Serrer à la main.
- Obtenir le tuyau pour plateau d'eau comme indiqué.

La arroser la soupape de provision d'eau fournit un interrupteur marche/arrêt pour commencer, arrêter, et ajuster

le flux d'eau sur la meule. Quand utilisé convenablement, la soupape de provision d'eau ajuste le flux d'eau au taux parfait et optimal.

CONNEXION TUYAU DE VIDANGER

Voir la figure 17, page 21.

Toujours placer le tuyau de vidanger dans un petit baril ou un seau un si débris peut drainer du plateau d'eau.

- Dévisser la casquette de la sortie de vidanger.
- Attacher un tuyau de vidanger à la sortie de vidanger et placer l'autre fin du tuyau dans un seau ou un baril.
- Ne pas déborder le seau ou renverse l'eau par terre près de la machine.
- Jetez de l'eau de gaspillage conformément aux règlements locaux.

UTILISATION

AVERTISSEMENT :

Ne pas laisser la familiarité avec l'outil faire oublier la prudence. Ne pas oublier qu'une fraction de seconde d'inattention peut entraîner des blessures graves.

AVERTISSEMENT :

Toujours porter des lunettes de sécurité avec ou sans coques latérales lors de l'utilisation d'outils électriques. Si cette précaution n'est pas prise, des objets peuvent être projetés dans les yeux et causer des lésions graves.

AVERTISSEMENT :

Ne pas utiliser d'outils ou accessoires non recommandés pour cet outil. L'utilisation de pièces et accessoires non recommandés peut entraîner des blessures graves.

APPLICATIONS

Cet outil peut être utilisé pour les applications ci-dessous :

- La ligne droite coupant des opérations comme coupes transversales, coupe d'onglet, courte longitudinale, et biseau

NOTE : Cette scie est conçue pour couper le carreau fabriqué par l'homme, pavés, et les produits de carreaux de pierre seulement.

COMMUTATEUR MARCHÉ / ARRÊT

Voir la figure 18, page 21.

Ce produit est équipé d'un commutateur avec dispositif de verrouillage intégré. Ce dispositif est conçu pour empêcher

l'utilisation non autorisée et potentiellement dangereuse par des enfants ou personnes non compétentes.

POUR METTRE LA SCIE EN MARCHÉ :

- La clé étant insérée dans le commutateur, le relever pour mettre la scie en **MARCHÉ** .

NOTE : Quand commutateur marche/arrêt est **MARCHÉ**, pour allumer la couler la soupape d'ajustement.

POUR ARRÊTER LA SCIE :

- Abaisser le commutateur en position **d'ARRÊT**.

NOTE : Quand commutateur marche/arrêt **d'ARRÊT**, pour verrouiller de la la couler la soupape d'ajustement.

POUR VERROUILLER LA SCIE :

- Avec la scie éteindre, retirer la clé du commutateur et la ranger en lieu sûr.

AVERTISSEMENT :

Lorsque l'outil n'est pas en usage, toujours retirer la clé et la ranger en lieu sûr. En cas de panne secteur, mettre le commutateur en position **D'ARRÊT** et retirer la clé. Ceci empêchera un démarrage accidentel lorsque le courant est rétabli.

AVERTISSEMENT :

TOUJOURS s'assurer que la pièce n'est pas en contact avec la meule avant de mettre le commutateur de l'outil en position de marche. Ne pas prendre cette précaution peut causer le rebond de la pièce en direction de l'opérateur et d'entraîner des blessures graves.

UTILISATION



AVERTISSEMENT :

Pour éviter un démarrage accidentel, **TOUJOURS** s'assurer que le commutateur est en position **D'ARRÊT** avant de brancher l'outil.

L'UTILISATION GUIDE DE BORD

Voir la figure 19, page 22.

Le guide de bord peut être utilisé de la gauche et de la droite du côté de la muele de coupe.

- Placer le guide de bord dans la position désirée.
- Appuyer le levier en bas pour verrouiller à sa place.

Réglage l'angle:

- Resserrer le bouton de verrouillage.
- Placer à l'angle désiré en déplaçant la partie plus basse du guide de bord est gauche ou la droite.
- Resserrer le bouton assurément avant d'allumer la scie.

L'UTILISATION ARROSER LA SOUPAPE DE PROVISION

Voir la figure 20, page 22.

La arroser la soupape de provision vous permet d'ajuster l'eau coule sur la muele de coupe.

L'UTILISATION COULER LA SOUPAPE D'AJUSTEMENT

Voir la figure 21, page 22.

En utilisant le système de flux de pumpless, cette soupape doit être allumée et de suivant tout de suite pour allumer la scie ou de.

En utilisant la pompe en option (n'a pas inclus), la couler la soupape d'ajustement peut être utilisée pour ajuster le flux d'eau.

EXÉCUTION DE COUPES

Toujours dessiner la ligne être coupée sur le carreaux utilisant un crayon de borne ou graisse. Si le carreaux est brillant et dur-à-la-marque, le lieu masquant la bande sur le carreau et marque la bande.

Un problème commun en coupant le carreaux erre de la ligne marquée. Une fois vous avez erré de la marque, vous ne pouvez pas forcer la muele de retour à la ligne en tordant le carreaux. Plutôt, la sauvegarde et recut que le carreaux coupant en tranches d'une petite quantité de carreau jusqu'à ce que la meule est arrière sur la piste.

Pour éviter ce problème, utiliser le bois de biseau ou le guide de bord déchirure quand possible. Utiliser le le guide de bord en faiant les coupes transversale et les coupes d'onglet et le bois de biseau pour biseaute des coupures.

POUR EFFECTUER UNE COUPE TRANSVERSALE

Voir la figure 22, page 22.

Les coupes transversale sont directement 90° les coupures. Le matériel est nourri dans la coupure à un 90° l'angle à la roue, et la muele est verticale.

- L'utilisation d'un crayon de borne ou graisse, marquer le secteur être coupé sur le matériel.
- Placer le guide de bord à 0°, serrez la manette de verrouillage, et verrouiller à sa place.
- Placer le matériau sur la table et fermement contre le guide de bord et guide.
- Avant d'allumer la scie, s'assurer que le matériaux ne touche pas la meule à carreaux.
- Mettre le commutateur marche/arrêt en position de **MARCHE**.
- Mettre le couler la soupape d'ajustement en position de **MARCHE**.
- Laissez le muele de coupe atteindre son régime maximum et attendre le muele pour obtenir mouillé avant d'avancer le matériau pour alimenter la pièce vers le meule.
- Maintenir la matériaux fermement contre le guide de borde et guide, et engager le muele de coupe.
- Une fois la coupe effectuée, **ARRÊT** (OFF) la scie. Attendre que la meule à carreaux s'arrête complètement avant de retirer le matériaux.

POUR EFFECTUER UNE COUPE EN DIAGONALE

Voir la figure 23, page 22.

Les coupes diagonales sont aussi connues sous le nom de « coupes de long point à long point ».

- L'utilisation d'un crayon de borne ou graisse, marquer le secteur être coupé sur le matériel.
- Placer le guide de bord à la position désirée, serrez la manette de verrouillage, et verrouiller à sa place.
- Placer le matériau sur la table et fermement contre le guide de bord et guide.
- Avant d'allumer la scie, s'assurer que le matériaux ne touche pas la meule à carreaux.
- Mettre le commutateur marche/arrêt en position de **MARCHE**.
- Mettre le couler la soupape d'ajustement en position de **MARCHE**.
- Laissez le muele de coupe atteindre son régime maximum et attendre le muele pour obtenir mouillé avant d'avancer le matériau pour alimenter la pièce vers le meule.
- Maintenir la matériaux fermement contre le guide de borde et guide, et engager le muele de coupe.
- Une fois la coupe effectuée, **ARRÊT** (OFF) la scie. Attendre que la meule à carreaux s'arrête complètement avant de retirer le matériaux.

UTILISATION

POUR EFFECTUER UNE COUPE D'ONGLET

Voir la figure 24, page 22.

Une coupe d'onglet pour couper les coins intérieures et extérieures de tuiles, de moulures murales décoratives et de plinthes avec le matériel à n'importe quel angle à la roue autrement que 90°. Les coupes d'onglet ont tendance à « ramper » pendant la coupe. Ceci peut être contrôlé en tenant la pièce assurément contre le guide de bord.

- L'utilisation d'un crayon de borne ou graisse, marquer le secteur être coupé sur le matériel.
- Placer le guide de bord à la position désirée, serrez la manette de verrouillage, et verrouiller à sa place.
- Placer le matériau sur la table et fermement contre le guide de bord et guide.
- Avant d'allumer la scie, s'assurer que le matériaux ne touche pas la meule à carreaux.
- Mettre le commutateur marche/arrêt en position de **MARCHE**.
- Mettre le couler la soupape d'adjustment en position de **MARCHE**.
- Laissez le muele de coupe atteindre son régime maximum et attendre le muele pour obtenir mouillé avant d'avancer le matériau pour alimenter la pièce vers le meule.
- Maintenir la matériaux fermement contre le guide de borde et guide, et engager le muele de coupe.
- Une fois la coupe effectuée, **ARRÊT** (OFF) la scie. Attendre que la meule à carreaux s'arrête complètement avant de retirer le matériaux.

POUR EFFECTUER UNE COUPE EN L

Voir la figure 25, page 23.

Une coupe en L est une section de la matériaux q'on retire et qu'on utilise lorsqu'on coupe un morceau de matériaux afin de l'ajuster dans le coin d'une armoire ou une boiserie et sont fait par deux coupures séparées

NOTE : Seulement overcut dessous ou au-dessous du côté du matériel est coupé.

- L'utilisation d'un crayon de borne ou graisse, marquer le secteur être coupé sur le matériel.
- Placer le guide de bord à la position désirée, serrez la manette de verrouillage, et verrouiller à sa place.
- Placer le matériau sur la table et fermement contre le guide de bord et guide.

- Avant d'allumer la scie, s'assurer que le matériaux ne touche pas la meule à carreaux.
- Mettre le commutateur marche/arrêt en position de **MARCHE**.
- Mettre le couler la soupape d'adjustment en position de **MARCHE**.
- Laissez le muele de coupe atteindre son régime maximum et attendre le muele pour obtenir mouillé avant d'avancer le matériau pour alimenter la pièce vers le meule.
- Maintenir la matériaux fermement contre le guide de borde et guide, et engager le muele de coupe.
- Faire la coupe loin assez dans le matériel sans surcoupe.
- Tourner le matériel sur et faire la coupe le long d'une des marques. Ce surcoupe de temps l'autre ligne et le morceau de coupure doivent séparer du reste du matériel.
- Une fois la coupe effectuée, **ARRÊT** (OFF) la scie. Attendre que la meule à carreaux s'arrête complètement avant de retirer le matériaux

POUR EFFECTUER UNE COUPE BISEAU

Voir la figure 26, page 23.

Biseau 45° cortes pueden ser hechos con el bois de biseau.

- L'utilisation d'un crayon de borne ou graisse, marquer le secteur être coupé sur le matériel.
- Placer le bois de biseau sur le bon côté de la table à la distance désirée de la muele et la serrure à sa place.
- Placer le matériau sur bois de biseau.
- Avant d'allumer la scie, s'assurer que le matériaux ne touche pas la meule à carreaux.
- Mettre le commutateur marche/arrêt en position de **MARCHE**.
- Mettre le couler la soupape d'adjustment en position de **MARCHE**.
- Laissez le muele de coupe atteindre son régime maximum et attendre le muele pour obtenir mouillé avant d'avancer le matériau pour alimenter la pièce vers le meule.
- Maintenir la matériaux fermement contre le guide de borde et guide, et engager le muele de coupe.
- Une fois la coupe effectuée, **ARRÊT** (OFF) la scie. Attendre que la meule à carreaux s'arrête complètement avant de retirer le matériaux.

RÉGLAGES

AVERTISSEMENT :

Avant d'effectuer tout réglage, s'assurer que l'outil est débranché et que son commutateur est en position d'arrêt (OFF). Le non-respect de cet avertissement pourrait entraîner des blessures graves.

Cette scie à table a été réglée en usine pour effectuer des coupes très précises. Toutefois, certains composants peuvent avoir été désalignés pendant le transport. En outre, après un certain temps des réglages s'avéreront probablement nécessaires, du fait de l'usure.

Ne procéder à aucun réglage avant d'avoir effectué des vérifications avec une équerre et exécuté des coupes d'essai, pour s'assurer que des réglages sont nécessaires.

ÉQUERRAGE MUELE DE COUPE PAR RAPPORT À LA TABLE

Voir la figure 27, page 23.

Ne pas desserrer aucune vis pour cet ajustement avant de vérifier avec une équerre et faire des coupes d'essai pour être certain que les ajustements sont nécessaires. Une fois les vis desserrées, ces items doivent être ajustés de nouveau.

- Débrancher la scie.
- L'utilisation d'un 13 mm la clé (non inclus), desserrer le boulon hexagonal de sort au devant du bâti et la fin de la tige de coulisse.

- Déplacer la table jusqu'à ce que la table est carrée avec la meule de coupe.
- Serrer fermement boulon hex.

AJUSTER LES ROULEAUX DE TABLE

Voir la figure 28, page 23.

Si la table ne glisse pas facilement, semble trop détaché sur la tige de coulisse, ou les mouvements côté pour côté, les ajustements pourraient être réglages. Il y a deux séries différentes d'axes que peut exiger l'ajustement.

Pour ajuster si la table est desserrer :

- L'utilisation clé hexagonale y clé (non inclus), desserrer le deux axe inférieur. Ces axes inférieur plus bas peuvent être ajustés en vers le haut et vers bas sur la tige de coulisse.
- Si la table ne glisse pas toujours facilement, desserrer le premier deux axes.
- Une fois les rouleaux glissent satisfaisamment, resserrer les vis assurément.

Pour ajuster si la table est tendue :

- Du latéral le plus proche au bâti, insérer une clé hexagonale de sort dans l'axe.
- L'avoir de la clé hexagonale pour garder l'axe de tourner, desserrer les écrou de nylock jusqu' aux coulisse de table à la douceur désirée.

ENTRETIEN

AVERTISSEMENT :

Utiliser exclusivement des pièces Ryobi identiques à celles d'origine pour les réparations. L'usage de toute autre pièce pourrait créer une situation dangereuse ou endommager l'outil.

AVERTISSEMENT :

Toujours porter des lunettes étanches ou des lunettes de sécurité à coques latérales lors de l'utilisation d'outils motorisés ou lors d'opérations de nettoyage à l'air comprimé. Si une opération dégage de la poussière, porter également un masque anti-poussière.

AVERTISSEMENT :

Ne jamais laisse de liquides tels que le fluide de freins, l'essence, les produits à base de pétrole, les huiles pénétrantes, etc., entrer en contact avec les pièces en plastique. Les produits chimiques peuvent endommager, affaiblir ou détruire le plastique, ce qui peut entraîner des blessures graves.

LUBRIFICATION

Tous les roulements de cet outil sont garnis d'une quantité de graisse de haute qualité, suffisante pour la durée de vie de l'outil, dans des conditions d'utilisation normales. Après l'utilisation prolongée, lubrifier les rouleaux de table et nettoyer la tige de coulisse si la table glisse pas facilement,

NETTOYER TIGE DE COULISSE

Pendant l'usage, la tige de coulisse deviendra empêcher sale les rouleaux de table du glissement facilement. C'est important de nettoyer la tige de coulisse utilisant souvent un propre, chiffon sec.

ENTRETIEN GÉNÉRAL

Éviter d'utiliser des solvants pour le nettoyage des pièces en plastique. La plupart des matières plastiques peuvent être endommagées par divers types de solvants du commerce. Utiliser un chiffon propre pour éliminer la saleté, la poussière, l'huile, la graisse, etc.

ENTRETIEN

REPLACEMENT DES BALAIS

Voir la figure 29, page 23.

Le moteur de la scie est équipé de balais accessibles de l'extérieur, dont l'usure doit être vérifiée périodiquement.

Lorsque le remplacement des balais s'avère nécessaire, procéder comme suit :

- Débrancher la scie.



AVERTISSEMENT :

Ne pas débrancher la scie peut causer un démarrage accidentel, entraînant des blessures graves.

- Retirer le couvercle des balais à l'aide d'un tournevis. Les balais sont montés sur ressort et sont éjectés lorsque le couvercle est retiré.
- Retirer les balais.
- Regarder s'ils sont usés. Remplacer les deux balais lorsque la longueur du carbone est de 6 mm (1/4 po) ou moins. **Ne pas** remplacer un balai sans remplacer l'autre.
- Installer les nouveaux balais. S'assurer que la courbure des balais correspond à celle du moteur et que les balais tournent librement dans leurs tubes.
- S'assurer que le couvercle est correctement aligné (droit) et l'assujettir.
- Serrer le couvercle solidement. **Ne pas** trop serrer.

ACCESSOIRES

Les accessoires recommandés ci-dessous sont actuellement en vente dans les magasins de détail :

080009002119 Pompe d'eau

A18WS07 Stand



AVERTISSEMENT :

Les outils et accessoires disponibles actuellement pour ce produit sont listés ci-dessus. Ne pas utiliser d'outils ou accessoires non recommandés pour ce produit. L'utilisation de pièces et accessoires non recommandés peut entraîner des blessures graves.

NOTE : FIGURES (ILLUSTRATIONS) COMMENÇANT SUR 17 DE PAGE APRÈS LE SECTION ESPAGNOL.

ÍNDICE DE CONTENIDO

■ Introducción.....	2
■ Garantía.....	2
■ Reglas de seguridad generales.....	3-4
■ Reglas de seguridad específicas.....	5
■ Símbolos.....	6-7
■ Aspectos eléctricos.....	8-9
■ Características.....	9-10
■ Armado.....	10-12
■ Funcionamiento.....	12-14
■ Ajustes.....	15
■ Mantenimiento.....	15-16
■ Accesorios.....	16
■ Figura numeras (ilustraciones).....	17- 20
■ Pedidos de piezas / servicio.....	Pág. posterior

INTRODUCCIÓN

Esta herramienta ofrece numerosas características para hacer más agradable y placentero su uso. En el diseño de este producto se ha conferido prioridad a la seguridad, el desempeño y la fiabilidad, por lo cual se facilita su manejo y mantenimiento.

GARANTÍA

HERRAMIENTAS ELÉCTRICAS RYOBI® – GARANTÍA LIMITADA DE DOS AÑOS Y POLÍTICA DE INTERCAMBIO A LOS 30 DÍAS

One World Technologies, Inc., garantiza sus herramientas eléctricas con las siguientes condiciones:

POLÍTICA DE INTERCAMBIO A LOS 30 DÍAS: Durante los primeros 30 días a partir de la fecha de compra, usted puede solicitar servicio al amparo de esta garantía o puede intercambiar cualquier herramienta eléctrica RYOBI® que no funcione correctamente debido a defectos en los materiales o en la mano de obra, devolviéndola en el establecimiento donde la adquirió. Para recibir la herramienta eléctrica de reemplazo o el servicio de garantía solicitado, debe presentar documentación de prueba de la compra, y devolver el equipo original empaquetado con el producto original. La herramienta eléctrica de reemplazo queda cubierta por la garantía limitada por el resto del período de garantía de dos años a partir de la fecha de la compra original.

LO QUE CUBRE ESTA GARANTÍA: Esta garantía cubre todos los defectos en material y en mano de obra empleados en la herramienta eléctrica RYOBI® por un período de dos años a partir de la fecha de compra. Con excepción de las pilas, los accesorios de las herramientas eléctricas están garantizados por noventa (90) días. Las pilas están garantizadas por dos años.

FORMA DE OBTENER SERVICIO: Simplemente envíe la herramienta eléctrica debidamente empaquetada y con el flete pagado por anticipado a un centro de servicio autorizado. Puede obtener información sobre la ubicación del centro de servicio autorizado más cercano escribiendo a One World Technologies, Inc., P.O. Box 1207, Anderson, SC 29622-1207, USA, llamando al 1-800-525-2579 o dirigiéndose al sitio en Internet, www.ryobitools.com. Al solicitar servicio al amparo de la garantía, debe presentar documentación de prueba de la compra que incluya la fecha de ésta (por ejemplo un recibo de venta). Repararemos toda mano de obra deficiente del producto, y reparamos o reemplazamos cualquier pieza defectuosa, a nuestra sola discreción. Lo hacemos sin cargarle ningún costo al consumidor. Efectuamos el trabajo en un período de tiempo razonable, pero en todo caso en menos de noventa (90) días.

LO QUE NO ESTÁ CUBIERTO: Esta garantía se ofrece exclusivamente al comprador original al menudeo y no puede transferirse. Esta garantía sólo cubre defectos que aparezcan en el uso normal de la herramienta y no cubre ningún malfuncionamiento, falla o defecto producido por el uso indebido, maltrato, negligencia, alteración, modificación o reparación efectuada por terceros diferentes de los centros de servicio autorizados. One World Technologies, Inc. no ofrece ninguna garantía, declaración o promesa en relación con la calidad o el desempeño de sus herramientas eléctricas más que las señaladas específicamente en esta garantía.

LIMITACIONES ADICIONALES: Toda garantía otorgada de conformidad con las leyes estatales, incluidas las garantías de comerciabilidad o idoneidad para un uso en particular, está limitada a dos años a partir de la fecha de compra. One World Technologies, Inc. no es responsable de daños directos, indirectos o incidentales, por lo tanto es posible que las limitaciones y exclusiones descritas arriba no se apliquen en el caso de usted. Esta garantía le confiere derechos legales específicos, y es posible que usted goce de otros derechos, los cuales pueden variar de estado a estado.

REGLAS DE SEGURIDAD GENERALES



ADVERTENCIA:

Lea y comprenda todas las instrucciones. El incumplimiento de las instrucciones señaladas abajo puede causar descargas eléctricas, incendios y lesiones serias.

LEA TODAS LAS INSTRUCCIONES

- **FAMILIARÍCESE CON SU HERRAMIENTA ELÉCTRICA.** Lea cuidadosamente el manual del operador. Aprenda los usos, limitaciones y posibles peligros relacionados con esta herramienta.
- **PROTÉJASE CONTRA DESCARGAS ELÉCTRICAS EVITANDO TOCAR CON EL CUERPO SUPERFICIES CONECTADAS A TIERRA.** Por ejemplo: tubos, radiadores, estufas y cajas de refrigeradores.
- **MANTENGA LAS PROTECCIONES EN SU LUGAR** y en buenas condiciones de trabajo.
- **RETIRE TODA LLAVE Y HERRAMIENTA DE AJUSTE.** Adquiera el hábito de verificar que se haya retirado de la herramienta eléctrica toda llave y herramienta de ajuste antes de encenderla.
- **MANTENGA LIMPIA EL ÁREA DE TRABAJO.** Una mesa o área de trabajo mal despejada es causa común de accidentes. **NO** deje herramientas o piezas de madera en la herramienta mientras esté funcionando.
- **NO UTILICE LA HERRAMIENTA EN ENTORNOS PELIGROSOS.** No utilice las herramientas eléctricas en lugares húmedos o mojados ni las exponga a la lluvia. Mantenga bien iluminada el área de trabajo.
- **MANTENGA ALEJADOS A LOS NIÑOS Y DEMÁS CIRCUNSTANTES.** Todos los presentes deben llevar puestos anteojos de seguridad y permanecer a una distancia segura del área de trabajo. No permita que ninguno de los presentes toque la herramienta eléctrica o el cordón de extensión mientras esté funcionando la unidad.
- **HAGA SU TALLER A PRUEBA DE NIÑOS** con candados, interruptores maestros y retirando las llaves de arranque.
- **NO FUERCE LA HERRAMIENTA.** Efectúa el trabajo mejor y de manera más segura, si se utiliza a la velocidad de avance para la que está diseñada.
- **USE LA HERRAMIENTA ADECUADA PARA LA TAREA.** No fuerce la herramienta ni ningún accesorio a efectuar tareas para las que no están hechos.
- **USE UN CORDÓN DE EXTENSIÓN ADECUADO.** Asegúrese de que esté en buen estado el cordón de extensión. Al utilizar un cordón de extensión sólo utilice uno del calibre suficiente para soportar la corriente que consume el producto. Un cordón de un grosor insuficiente causa una caída en el voltaje de línea, y produce recalentamiento y pérdida de potencia. Se recomienda

que los conductores sean de calibre **14** (A.W.G.) por lo menos, para un cordón de extensión de 7,6 metros (25 pies) de largo o menos. Si tiene dudas, utilice un cordón del calibre más grueso siguiente. Cuanto menor es el número de calibre, mayor es el grosor del cordón.

- **VÍSTASE ADECUADAMENTE.** Evite ponerse ropas holgadas, corbatas ni joyas que puedan engancharse y tirar de usted hacia las piezas en movimiento. Se recomiendan guantes y calzado antiderrapantes (botes de goma) al trabajar al aire libre. Si tiene el pelo largo cúbralo de alguna manera para contenerlo.
- **SIEMPRE PÓNGASE ANTEOJOS DE SEGURIDAD CON PROTECCIÓN LATERAL.** Los anteojos de uso diario tienen lentes resistentes a golpes únicamente; **NO** son anteojos de seguridad.
- **ASEGURE LA PIEZA DE TRABAJO.** Utilice prensas de mano o de banco para sujetar la pieza de trabajo cuando resulte práctico hacerlo; es más seguro que utilizar la mano y quedan ambas manos libres para manejar la herramienta.
- **NO ESTIRE EL CUERPO PARA ALCANZAR MAYOR DISTANCIA.** Mantenga una postura firme y buen equilibrio en todo momento.
- **DÉ MANTENIMIENTO CON CUIDADO A LAS HERRAMIENTAS.** Mantenga afiladas y limpias las herramientas para obtener de las mismas un desempeño mejor y más seguro. Sigala instrucciones correspondientes al cambio y lubricación de accesorios.
- **DESCONECTE LAS HERRAMIENTAS.** Todas las herramientas deben desconectarse del suministro de corriente cuando no estén usándose, o al cambiarlas aditamentos, hojas de corte, brocas, fresas, etc.
- **EVITE UN ARRANQUE ACCIDENTAL DE LA UNIDAD.** Asegúrese de que el interruptor esté en la posición de apagado antes de conectar la clavija de cualquier herramienta.
- **USE ACCESORIOS RECOMENDADOS.** Consulte este manual del operador, donde aparecen los accesorios recomendados. El empleo de accesorios inadecuados puede causar lesiones.
- **NO SE PARE NUNCA EN LA HERRAMIENTA.** Pueden producirse lesiones graves si la herramienta eléctrica se vuelca o si se toca accidentalmente la herramienta de corte.
- **INSPECCIONE LAS PIEZAS DAÑADAS.** Antes de seguir utilizando la herramienta, es necesario inspeccionar cuidadosamente toda protección o pieza dañada para determinar si funcionará correctamente y desempeñará la función a la que está destinada. Verifique la alineación de las partes móviles, que no haya atoramiento de partes móviles, que no haya piezas rotas, el montaje de las piezas y cualquier otra condición que pudiera afectar su funcionamiento. Toda protección o pieza que esté dañada debe repararse apropiadamente o reemplazarse en un centro de servicio autorizado.

REGLAS DE SEGURIDAD GENERALES








- **AVANCE LA PIEZA DE TRABAJO EN LA DIRECCIÓN CORRECTA.** Solamente empuje la pieza de trabajo hacia la hoja, fresa o tambor de lijado, contra el sentido de rotación de éstos.
- **NUNCA DEJE FUNCIONANDO DESATENDIDA LA HERRAMIENTA. APAGUE LA CORRIENTE.** No abandone la herramienta hasta verla completamente detenida.
- **PROTÉJASE LOS PULMONES.** Use una careta o mascarilla contra el polvo si la operación de corte genera mucho polvo.
- **PROTÉJASE EL OÍDO.** Durante períodos prolongados de utilización de la unidad póngase protección para los oídos.
- **NO MALTRATE EL CORDÓN ELÉCTRICO.** Nunca porte la herramienta sujetándola por el cordón eléctrico, ni tire del mismo para desconectarla de la toma de corriente. Mantenga el cordón eléctrico alejado del calor, del aceite y de los bordes afilados.
- **SIEMPRE UTILICE UN CORDÓN ELÉCTRICO DE EXTENSIÓN QUE LLEVE LAS MARCAS “W-A” O “W”.** Estos cordones eléctricos están aprobados para el uso en exteriores y reducen el riesgo de descargas eléctricas.
- **SIEMPRE MANTENGA EL PROTECCIÓN PARA LA MUELA EN SU LUGAR** y en buenas condiciones de funcionamiento.
- **MANTENGA LAS MANOS ALEJADAS DEL ÁREA DE CORTE.** No trate de alcanzar bajo la pieza de trabajo o en la trayectoria de corte de la hoja con las manos y dedos por ninguna razón. Siempre apague la corriente.
- **LA MEULA DE CORTE CONTINÚA GIRANDO POR INERCIA DESPUÉS DE APAGARSE LA UNIDAD.**
- **NUNCA UTILICE LA UNIDAD EN UNA ATMÓSFERA EXPLOSIVA.** El chispeo normal del motor podría encender los gases presentes.
- **INSPECCIONE PERIÓDICAMENTE LOS CORDONES ELÉCTRICOS DE LAS HERRAMIENTAS.** Si están dañados, llévelos a un establecimiento de servicio autorizado para que los revise un técnico de servicio calificado. El conductor con aislamiento que tiene una superficie exterior verde con o sin tiras amarillas es el conductor de conexión a tierra del equipo. Si es necesaria la reparación o reemplazo del cordón eléctrico o de la clavija, no conecte el conductor de conexión a tierra a una terminal portadora de corriente. Repare o reemplace de inmediato todo cordón dañado o gastado. Siempre esté consciente de la ubicación del cordón y manténgalo bien alejado de la meula en movimiento de giro.
- **INSPECCIONE PERIÓDICAMENTE LOS CORDONES DE EXTENSIÓN** y reemplácelos si están dañados.
- **CONECTE A TIERRA TODA HERRAMIENTA ELÉCTRICA.** Si la herramienta está provista de una clavija de tres puntas, debe conectarse en un enchufe eléctrico de tres polos.
- **CONSULTE A UN ELECTRICISTA CALIFICADO** o técnico de servicio si no ha comprendido completamente las instrucciones de conexión a tierra o si no está seguro de que la herramienta está bien conectada a tierra.
- **USE SOLAMENTE LOS DISPOSITIVOS ELÉCTRICOS CORRECTOS:** cables de extensión de 3 conductores, con clavijas de tres puntas y contactos de tres polos que acepten la clavija del cable de la herramienta.
- **NO MODIFIQUE** la clavija suministrada. Si no entra en la toma de corriente, llame a un electricista calificado para que instale una toma de corriente adecuada.
- **MANTENGA LA HERRAMIENTA SECA, LIMPIA Y LIBRE DE ACEITE Y GRASA.** Siempre utilice un paño limpio para la limpieza de la unidad. Nunca utilice fluidos para frenos, gasolina, productos a base de petróleo ni solventes para limpiar la herramienta.
- **PERMANEZCA ALERTA Y EN CONTROL.** Preste atención a lo que esté haciendo y aplique el sentido común. No utilice la herramienta cuando esté cansado. No se apresure.
- **NO UTILICE LA HERRAMIENTA SI EL INTERRUPTOR NO ENCIENDE O NO APAGA.** Lleve todo interruptor defectuoso a un centro de servicio autorizado para que lo reparen.
- **SÓLO UTILICE MUELAS DE CORTE CORRECTAS.** No use muelas con orificio de un tamaño incorrecto. Nunca utilice arandelas ni pernos de la muela de corte dañados o inadecuados. La sierra tiene capacidad para muelas hasta de un diámetro de 7 pulg. (178 mm).
- **ANTES DE EFECTUAR UN CORTE VERIFIQUE QUE ESTÉN BIEN ASEGURADOS TODOS LOS DISPOSITIVOS DE AJUSTE.**
- **ASEGÚRESE DE QUE NO HAYA CLAVOS EN LA TRAYECTORIA DE LA MUELA.** Inspeccione la madera y elimine todos los clavos presentes en la misma antes de empezar a cortar.
- **NUNCA ARRANQUE LA HERRAMIENTA CUANDO LA PIEZA GIRATORIA CORRESPONDIENTE ESTÉ TOCANDO LA PIEZA DE TRABAJO.**
- **NO UTILICE NINGUNA HERRAMIENTA SI SE ENCUENTRA BAJO LOS EFECTOS DE DROGAS, ALCOHOL O MEDICAMENTOS.**
- **AL DAR SERVICIO** a la unidad, sólo utilice piezas de repuesto idénticas. El empleo de piezas diferentes puede causar un peligro o dañar el producto.
- **SOLAMENTE UTILICE ACCESORIOS** señalados en este manual o en los apéndices. El uso de accesorios no señalados en este manual puede presentar riesgos de lesiones corporales. Con los accesorios se incluyen instrucciones para el uso seguro de los mismos.
- **REVISE DOS VECES TODA CONFIGURACIÓN DE LA HERRAMIENTA.** Asegúrese de que la hoja esté apretada y de que no toque la sierra o la pieza de trabajo antes de conectar la unidad al suministro de corriente.

REGLAS DE SEGURIDAD ESPECÍFICAS

- **SIEMPRE ASEGURE LA PIEZA DE TRABAJO** firmemente contra guía de borde al hilo o la guía de corte a inglete.
- **NUNCA** se pare ni tenga ninguna parte del cuerpo en línea con la trayectoria de la hoja de la sierra.
- **NUNCA** intente liberar la muela de la sierra cuando esté trabada, sin antes **APAGAR** y desconectar la sierra de la toma de corriente.
- **SI ESTÁ DAÑADO EL CORDÓN DE CORRIENTE**, debe ser reemplazado únicamente por el fabricante o en un centro de servicio autorizado para evitar riesgos.
- **EVITE OPERACIONES Y POSICIONES EXTRAÑAS DE LAS MANOS** en las cuales un deslizamiento rápido puede hacer que la mano toque la herramienta de corte.
- **ASEGÚRESE DE QUE TODA EL ÁREA DE TRABAJO ESTÉ BIEN ILUMINADA** para ver la pieza de trabajo y que ninguna obstrucción impida una operación segura **ANTES** de efectuar cualquier trabajo con la sierra.
- **SIEMPRE APAGUE LA SIERRA** antes de desconectarla, para evitar un arranque accidental de la misma al volver a conectarla al suministro de corriente.
- **ESTA HERRAMIENTA** tendrá los siguientes avisos:
 - a) Póngase protección ocular.
 - b) Utilice protector para salpicaduras para cada operación para que puede ser utilizado.
 - c) Siempre desconecte el suministro de corriente antes de realizar su mantenimiento, al cambiar las muelas o al limpiar la unidad.
 - d) Utilice la herramienta con orilla lisa muela para cortar orificios y muescas.
 - e) Reemplace dañado muela para cortar antes de operación.
 - f) No llene el recipiente de agua por encima de la línea de llenado..
- **GUARDE ESTAS INSTRUCCIONES.** Consúltelas con frecuencia y empléelas para instruir a otros usuarios. Si presta a alguien esta herramienta, facilítele también las instrucciones.




SÍMBOLOS

Es posible que se empleen en esta herramienta algunos de los siguientes símbolos. Le suplicamos estudiarlos y aprender su significado. Una correcta interpretación de estos símbolos le permitirá utilizar mejor y de manera más segura la herramienta.

SÍMBOLO	NOMBRE	DENOMINACIÓN / EXPLICACIÓN
V	Volts	Voltaje
A	Amperes	Corriente
Hz	Hertz	Frecuencia (ciclos por segundo)
W	Watts	Potencia
min	Minutos	Tiempo
~	Corriente alterna	Tipo de corriente
≡	Corriente continua	Tipo o característica de corriente
n_0	Velocidad en vacío	Velocidad de rotación, en vacío
	Fabricación Clase II	Fabricación con doble aislamiento
.../min	Por minuto	Revoluciones, carreras, velocidad superficial, órbitas, etc., por minuto
	Alerta de condiciones húmedas	No exponga la unidad a la lluvia ni la use en lugares húmedos.
	Lea el manual del operador	Para reducir el riesgo de lesiones, el usuario debe leer y comprender el manual del operador antes de usar este producto.
	Protección para los ojos, oídos y respirar	Póngase protección para los ojos, los oídos y los respirar al utilizar este equipo.
	Alerta de seguridad	Precauciones para su seguridad.
	Símbolo de no acercar las manos	Si no mantiene las manos alejadas de la hoja de corte, se causará serias lesiones corporales.
	Electrocución	El incumplimiento de conectar correctamente a tierra puede resultar en electrocución.

SÍMBOLOS

Las siguientes palabras de señalización y sus significados tienen el objeto de explicar los niveles de riesgo relacionados con este producto.

SÍMBOLO	SEÑAL	SIGNIFICADO
	PELIGRO:	Indica una situación peligrosa inminente, la cual, si no se evita, causará la muerte o lesiones serias.
	ADVERTENCIA:	Indica una situación peligrosa posible, la cual, si no se evita, podría causar la muerte o lesiones serias.
	PRECAUCIÓN:	Indica una situación peligrosa posible, la cual, si no se evita, podría causar lesiones menores o leves.
	PRECAUCIÓN:	(Sin el símbolo de alerta de seguridad) Indica una situación que puede producir daños materiales.

SERVICIO

El servicio de la herramienta requiere extremo cuidado y conocimientos técnicos, por lo cual sólo debe ser efectuado por un técnico de servicio calificado. Para dar servicio a la herramienta, le sugerimos llevarla al **CENTRO DE SERVICIO AUTORIZADO** de su preferencia para que la reparen. Al dar servicio a la unidad, sólo utilice piezas de repuesto idénticas.

ADVERTENCIA:

Para evitar lesiones corporales serias, no intente utilizar este producto sin haber leído y comprendido totalmente el manual del operador. Si no comprende los avisos de advertencia y las instrucciones del manual del operador, no utilice este producto. Llame al departamento de atención al consumidor de Ryobi y le brindaremos asistencia.

ADVERTENCIA:



Cualquier herramienta eléctrica en funcionamiento puede lanzar objetos hacia los ojos, lo cual puede causar serios daños a los mismos. Antes de comenzar a utilizar una herramienta eléctrica, póngase siempre gafas de seguridad, anteojos protectores con protección lateral o careta completa cuando sea necesario. Recomendamos la careta protectora de visión amplia encima de los anteojos normales, o los anteojos protectores estándar con protección lateral. Siempre póngase protección ocular con la marca de cumplimiento de la norma ANSI Z87.1.

GUARDE ESTAS INSTRUCCIONES

PARTES ELÉCTRICAS

CABLES DE EXTENSIÓN

Sólo utilice cables de extensión de 3 conductores con clavijas de tres puntas y contactos de tres polos que acepten la clavija del cable de la herramienta. Si la herramienta eléctrica debe situarse a una distancia importante de la toma de corriente, asegúrese de que el cable de extensión que utilice tenga el grosor suficiente para soportar el consumo de corriente de la herramienta. Un cable de extensión de un grosor insuficiente causará caída del voltaje de la línea, además de producir pérdida de potencia y recalentamiento del motor. Básese en la tabla que se presenta abajo para calcular el calibre mínimo requerido de los conductores del cable de extensión. Solamente deben utilizarse cordones con forro redondo registrados en Underwriter's Laboratories (UL).

**Amperaje (aparece en la placa de datos de la herramienta)

0-2.0 2.1-3.4 3.5-5.0 5.1-7.0 7.1-12.0 12.1-16.0

Longitud del cordón	Calibre conductores (AWG)					
	16	16	16	14	14	14
25'	16	16	16	14	14	14
50'	16	16	16	14	14	12
100'	16	16	14	12	10	—

**Se usa en los circuitos de calibre 12, de 20 amperes.

NOTA: AWG = American Wire Gauge

Al trabajar con la herramienta a la intemperie, utilice un cable de extensión fabricado para uso en exteriores. Tal característica está indicada con las letras "W-A" o "W" en el forro del cable.

Antes de utilizar un cable de extensión, inspecciónelo para ver si tiene conductores flojos o expuestos y aislamiento cortado o gastado.

Utilice solamente los cables de extensión destinados para uso en áreas exteriores. Puede identificarlos con la leyenda "Pueden usarse con dispositivos para exteriores: guardar en el interior cuando no se use." Utilice solamente los cables de extensión que tengan una clasificación eléctrica no menor a la clasificación del producto. No utilice el cable de extensión si está dañado, ni un cable de extensión y no lo desconecte de un tirón. Mantenga el cable alejado del calor y los bordes filosos. Siempre desconecte el cable de extensión del tomacorriente antes de desconectar el producto del cable de extensión.

ADVERTENCIA:

Mantenga el cable de extensión fuera del área de trabajo. Al trabajar con una herramienta eléctrica, coloque el cable de tal manera que no pueda enredarse en la madera, herramientas ni otros obstáculos. La falta de atención a esta advertencia puede redundar en lesiones graves.

ADVERTENCIA:

Inspeccione los cables de extensión cada vez antes de usarlos. Si están dañados, reemplácelos de inmediato. Nunca utilice la herramienta con un cable dañado, ya que si toca la parte dañada puede sufrir una descarga eléctrica, con las consecuentes lesiones graves.

CONEXIÓN ELÉCTRICA

Esta herramienta está impulsada por un motor eléctrico fabricado con precisión. Debe conectarse únicamente a **una línea de voltaje de 120 V, de corriente alterna (corriente normal para uso doméstico), 60 Hz**. No utilice esta herramienta con corriente continua (c.c.). Una caída considerable de voltaje causa pérdida de potencia y recalentamiento del motor. Si la sierra no funciona al conectarla en una toma de corriente, vuelva a revisar el suministro de corriente.

VELOCIDAD Y CABLEADO

La velocidad en vacío de esta herramienta es de 5 800 rpm aproximadamente. Esta velocidad no es constante y disminuye durante el corte o con un voltaje bajo. En cuanto al voltaje, el cableado dentro del taller es tan importante como la potencia nominal del motor. Una línea pensada sólo para iluminación no puede alimentar el motor de una herramienta eléctrica. El cable que tiene el calibre suficiente para una distancia corta, será demasiado delgado para una distancia mayor. Una línea que alimenta una herramienta eléctrica puede no ser suficiente para alimentar dos o tres herramientas.

INSTRUCCIONES DE CONEXIÓN A TIERRA

Vea la figura 1, página 17

Este producto debe conectarse a tierra. En caso de un mal funcionamiento o desperfecto, la conexión a tierra brinda a la corriente eléctrica una trayectoria de mínima resistencia para disminuir el riesgo de una descarga eléctrica. Esta herramienta está equipada de un cordón eléctrico con un conductor y una clavija de conexión a tierra para equipo. La clavija debe conectarse en una toma de corriente igual que esté instalada y conectada a tierra correctamente, de conformidad con los códigos y reglamentos de la localidad.

No modifique la clavija suministrada. Si no entra en la toma de corriente, llame a un electricista calificado para que instale una toma de corriente adecuada.

ADVERTENCIA:

Si se conecta de forma incorrecta el conductor de conexión a tierra del equipo puede presentarse un riesgo de descarga eléctrica. Si es necesaria la reparación o reemplazo del cordón eléctrico o de la clavija, no conecte el conductor de conexión a tierra a una terminal portadora de corriente. El conductor con aislamiento que tiene una superficie exterior verde con o sin tiras amarillas es el conductor de conexión a tierra del equipo.

PARTES ELÉCTRICAS

Consulte a un electricista calificado o técnico de servicio si no ha comprendido completamente las instrucciones de conexión a tierra o si no está seguro si la herramienta está bien conectada a tierra.

Repáre o reemplace de inmediato todo cordón dañado o gastado.

Este producto se debe usar con un circuito de 120 V nominales y tiene una clavija de conexión a tierra similar a la clavija que se muestra en la figura 1, página 17. Conecte el producto únicamente a una toma de corriente que tenga la misma configuración que la clavija. No use un adaptador con este producto.

Este producto debe utilizarse conectada a un circuito con una toma de corriente como la mostrada en la figura 1. También dispone de una patilla de conexión a tierra como la mostrada.

Los circuitos o las tomas donde se conecta esta podadora de pasto deben estar protegidos con un interruptor de circuito accionado por falla de conexión a tierra (GFCI). Hay receptáculos con la protección de un GFCI integrado, y pueden utilizarse para contar con esta característica de seguridad.

Si el sierra es utilizado con un cable de extensión, asegure que la conexión del cable de alimentación del instrumento y el cable de extensión no está en el suelo.

Si una salida protegida no está disponible, no utilice la sierra hasta que una salida pueda ser cambiada o la protección auxiliar puede ser obtenida. Estos dispositivos auxiliares de la protección están disponibles en su detallista local.

POSICIONAR DEL SIERRA DE LOSAS

Vea la figura 2, página 17.

Para evitar que el tomacorriente o enchufe del accesorio se humedezcan, coloque la sierra de losas hacia un lado del tomacorriente que se encuentra en la pared, para que el agua no caiga sobre ésta o el enchufe. El usuario debería realizar una “vuelta de goteo” en el cable que conecta la sierra al tomacorriente. La “vuelta de goteo” es la parte del cable por debajo del nivel del tomacorriente, o el conector si se utiliza un cable de extensión, que evita que el agua se deslice por el cable y entre en contacto con el tomacorriente.

Si el enchufe o el tomacorriente se humedecieren, no desenchufe el cable. Desconecte el fusible o el interruptor automático que suministra electricidad a la herramienta. Luego desenchúfela y revise si hay agua en el tomacorriente.



ADVERTENCIA:

Para reducir el riesgo de electrocución, mantenga todas las conexiones secas y lejos del suelo. No toque el enchufe con las manos majadas.

CARACTERÍSTICAS

ESPECIFICACIONES DEL PRODUCTO

Diámetro de la hoja 7 pulg.
Árbol de la hoja 5/8 pulg.
Capacidad de la garganta 9-1/2 pulg.
Capacidad de corte al hilo (tamaño de losas) 16 pulg.

Capacidad de diagonale (tamaño de losas) 12 pulg.
Profundidad del corte máxima 2-1/4 pulg.
Potencia nominal 120 V~, 60 Hz, 9 A
Velocidad en vacío 5 800 r/min (RPM)

FAMILIARÍCESE CON LA SIERRA DE LOSAS

Vea la figura 3, página 17.

El uso seguro que este producto requiere la comprensión de la información impresa en la herramienta y en el manual del operador así como ciertos conocimientos sobre el proyecto a realizar. Antes de usar este producto, familiarícese con todas las características de funcionamiento y normas de seguridad.

7 pulg. MUELA PARA CORTAR LOSAS - 7 pulg. muela para cortar losas es incluido con su sierra.



ADVERTENCIA:

Asegúrese de usar únicamente muelas con velocidad nominal mínima inferior a la de esta herramienta. La inobservancia de esta advertencia puede causar lesiones serias.

BLOQUE DE BISEL - Bloque de bisel sujeta las losas para cortar bordes rápidos, prolijos y consistentes a 45°.

NOTA: Utilice solamente el bloque de bisel en el lado derecho de la mesa.

CLEAN WAVE WALL™ - Si usted compró la bomba opcional el sistema Clean Wave Wall™ evita que el sedimento ingrese a la bomba mientras y prolonga la vida útil de la bomba.

NOTA: La bomba opcional se vende por separado.

CARACTERÍSTICAS

EASY GLIDE TABLE™ - Para realizar cortes exactos y precisos.

AVISO DE EXTREMO DE CORTE - Aviso de extremo de corte para prevenir losas astilladas o rotas yendo más despacio el Easy Glide Table™ a fines de un corte. También actos riegan con una support de manguera.

VÁLVULA DE AJUSTE DEL FLUJO - Las vueltas agua el flujo al muela para cortar encendido o apagado. Cuando se usa con la bomba de agua opcional, esta característica llega a ser un ajuste variable del flujo.

MOTOR - Esta sierra dispone de un potente motor de 15 A con suficiente potencia para realizar hasta los trabajos de corte más pesados. Escobillas accesibles externamente para facilitar el servicio.

INTERRUPTOR DE ENCENDIDO/APAGADO - Esta sierra dispone de un interruptor de corriente de fácil acceso

ubicado bajo el riel delantero. Para bloquear el interruptor en la posición de **APAGADO**, retire la llave del interruptor. Coloque la llave en un lugar inaccesible a los niños y a otras personas no calificadas para el uso de la herramienta.

PUMPLESS FLOW SYSTEM™ - alimente constamment la lame en eau propre et fraîche pour des coupes sans problème. El sistema de agua completamente cerrado mantiene las tuberías organizadas y fuera del camino.

GUÍA DE BORDE AL HILO - Guía de borde al hilo se ajusta completamente para realizar cortes perfectos en ángulo y en línea recta.

PROTECTOR PARA SALPICADURAS - El protector para salpicadura proporciona la protección del overspray y la niebla.

PROTECCIÓN SUPERIOR DEL DISCO - Protege a usuario del contacto de la muela en la porción superior de la muela.

ARMADO

DESEMPAQUETADO

Este producto requiere armarse.

- Extraiga cuidadosamente de la sierra y colóquela sobre una superficie de trabajo nivelada.
- Inspeccione cuidadosamente la herramienta para verificar que no haya sufrido ninguna rotura o daño durante el transporte.
- No deseche el material de empaquetado antes de terminar de inspeccionar y utilizar satisfactoriamente la herramienta.
- La sierra viene ajustada desde la fábrica para realizar cortes exactos. Después de armarla verifique la exactitud de la misma. Si en el envío resultaron afectados los ajustes, consulte los procedimientos específicos explicados en este manual.
- Si hay piezas dañadas o faltantes, sírvase llamar al 1-800-525-2579, donde le brindaremos asistencia.



ADVERTENCIA:

Si hay piezas dañadas o faltantes, no utilice esta herramienta sin haber reemplazado todas las piezas. La inobservancia de esta advertencia podría causar posibles lesiones serias.



ADVERTENCIA:

No intente modificar esta herramienta ni hacer accesorios no recomendados para ella. Cualquier alteración o modificación constituye un uso indebido, y puede crear una situación peligrosa que culmine en lesiones corporales graves.



ADVERTENCIA:

No conecte la unidad a la toma de corriente antes de terminar de armarla. De lo contrario, la unidad puede ponerse en marcha accidentalmente, con el consiguiente riesgo de lesiones graves.

INSTALAR CONJUNTO DEL MOTOR DE CABEZA PARA ARMazón

Vea la figura 6, página 19.

- Alinee los hoyos en la conjunto del motor de cabeza con los hoyos en el lado de agua en la armazón.
- Inserta pequeño y grande tornillos y apriete con los dedos.
- Utilizar la llave hexagonal, aprieta firmemente los tornillos grandes de cabeza hueca en el lado de agua en la armazón.
- Apriete los pequeños tornillos de cabeza de enchufe duran.

INSTALAR AVISO DE EXTREMO DE CORTE

Vea la figura 7, página 19.

El aviso de extremo de corte tiene dos propósitos: 1) mantener la manguera segura y fuera de la manera, y, 2) ir más despacio el Easy Glide Table™ para ayudar a prevenir mosaico de agrietar y astillar.

- Alinee el hoyo al aviso de extremo de corte con el hoyo en el dentro de la espalda del marco de agua en la armazón.
- Utilizar un tornillo, asegura el aviso de extremo de corte en el lugar.

ARMADO

INSTALAR PROTECTOR PARA SALPICADURAS

Vea la figura 8, página 20.

- Alinee el hoyo en el protector para salpicadura con el hoyo en la espalda conjunto del motor de cabeza.
- Utilizar la arandela plana y el tornillo, aseguran al protector para salpicaduras en el lugar.

INSTALAR VÁLVULA DE SUMINISTRO DE AGUA PARA BANDEJAS DE AGUA

Vea la figura 9, página 20.

- Desenrosque la tapa de la válvula de suministro de agua.
- Colocar la tapa de la válvula de suministro de agua en el orificio de para bandejas de agua como se muestra en la figura 9.
- Enrosque la tapa de válvula de suministro de agua en el fin roscada de la válvula y apriétela firmemente.

INSTALAR SCIE A CARREAUX PARA BANDEJAS DE AGUA

Vea la figura 9, página 20.

- Con cuidado el agua en la armazón dentro de la bandeja de agua. Conjunto del motor de cabeza va a la espalda el agua en la armazón donde las conexiones de manga son situadas.

INSTALAR MANGUERA DE TRANSPARENTE PARA CONEXIÓN DE AGUA

Vea la figura 10, página 20.

- Conecte el manguera de transparente en la válvula de suministro de agua por dentro de la bandeja de agua.

MUELA PARA CORTAR LOSAS

Para un mayor rendimiento y seguridad, se recomienda que use solamente 7 pulg. muela para cortar es suministrada con la sierra. Se dispone de estilos adicionales de muelas de la misma alta calidad para su distribuidor local.

ADVERTENCIA:

Asegúrese de usar únicamente muelas con velocidad en vacío nominal mínima inferior a la de esta herramienta. La inobservancia de esta advertencia podría causar posibles lesiones serias. Nunca utilice muelas que tengan orificios, muescas, o dientes con esta herramienta.

ADVERTENCIA:

Para prevenir posibles riesgos eléctricos, solicite a un electricista calificado que inspeccione la línea si usted no tiene la certeza de que está debidamente cableada.

INSTALAR MUELA PARA CORTAR LOSAS

Vea las figuras 11 - 13, página 20.

ADVERTENCIA:

La sierra tiene capacidad para hojas hasta de un diámetro de 7 pulg. Nunca utilice una hoja tan gruesa que la guía láser no se enganche en las partes planas del husillo. Las hojas más grandes tocan las protecciones de la hoja, y las más gruesas impiden asegurarlas con el perno correspondiente en el husillo. Cualquiera de estas dos situaciones puede producir un accidente serio, con las consiguientes lesiones corporales serias.

- Desconecte la sierra.
- Aflojar el protección para la muela de fijación.
- Suba la protección para la muela para exponer la tuerca del árbol.
- Quede la llave de la muela en el tuerca del árbol entonces la llave hexagonal en el husillo.
- Teniendo la llave hexagonal para prevenir la muela de mover, gire hacia la izquierda para apretarlo. Retire llave hexagonal, llave de la muela, tuerca del árbol y arandela. **No** retire la arandela interior
- Unte una gota de aceite en las arandelas interior, donde tocan ésta.

ADVERTENCIA:

Si la arandela interior de la hoja ha sido retirada, vuelva a colocarla antes de instalar la hoja en el husillo. Si no lo hace podría producirse un accidente ya que la hoja no se apretaría correctamente.

- Colocar la muela para cortar losa móntela en el husillo.
- Vuelva arandela exterior. Las dos partes planas en forma de "D" de las arandelas de la hoja se alinean con las partes planas del husillo.
- Con la llave hexagonal y llave de la muela, apriételo firmemente.
- Vuelva a ajustar la protección para la muela firmemente.

INSTALAR LA GUÍA DE BORDE AL HILO

Vea la figura 14, página 21.

- Colocar guía de borde al hilo en la posición desbloqueo (palanca arriba).
- Quede la guía de borde al hilo en la permanente valla en el Easy Glide Table™.
- Asegurar la guía de borde al hilo empujando la palanca hacia abajo.

INSTALAR EL BLOQUE DE BISEL

Vea la figura 15, página 21.

- Colocar bloque de bisel en la posición desbloqueo (palanca arriba).

ARMADO

- Quede la bloque de bisel la orejeta en la ranura y en la permanente valla de mesa deslizante.
- Asegurar el bloque de bisel empujando la palanca hacia abajo.

NOTA: Utilice solamente el bloque de bisel en el lado derecho de la Easy Glide Table™.

CONEXIÓN DE LA MANGUERA DE JARDÍN A SIERRA DE LOSAS

Vea la figura 16, página 21.

El suministro de agua debe provenir de la tubería de abastecimiento principal. NUNCA prenda el agua alto.

- Desenrolle la manguera de jardín.
- Con la llave de chorro de la manguera completamente cerrada, acople el extremo de la manguera de jardín a la entrada de agua. Apriete la conexión a mano.
- Asegure manguera para bandejas de agua como mostrado.

La válvula de sumionistro de agua proporciona un encendido/apagado conveniente para comenzar, parar, y ajustar del flujo de agua en la rueda. Cuando se usa apropiadamente, la válvula de sumionistro de agua ajusta el flujo de agua a la tasa perfecta y óptima.

CONECTAR MANGUERA DE DESAGÜE

Vea la figura 17, página 21.

Siempre coloque la manguera de desagüe en un pequeño barril o el balde tan que escombros pueden desaguar de la bandeja de agua.

- Destornille la tapa de la salida de desagüe.
- Conecte una manguera de desagüe a la salida del desagüe y coloque otro fin de la manga en un balde o el barril.
- No se derráme el balde o rocía agua en el suelo cerca de la máquina.
- Deseche agua de desecho de acuerdo con regulaciones locales.

FUNCIONAMIENTO



ADVERTENCIA:

No permita que su familiarización con las herramientas lo vuelva descuidado. Tenga presente que un descuido de un instante es suficiente para causar una lesión seria.



ADVERTENCIA:

Cuando utilice herramientas, póngase siempre gafas de seguridad o anteojos protectores con protección lateral. La inobservancia de esta advertencia puede causar el lanzamiento de objetos a los ojos, y por consecuencia posibles lesiones serias.



ADVERTENCIA:

No utilice ningún aditamento o accesorio no recomendado por el fabricante de esta herramienta. El empleo de aditamentos o accesorios no recomendados podría causar lesiones serias.

APLICACIONES

Esta herramienta puede emplearse para los fines enumerados abajo:

- La línea recta las operaciones cortantes como cortes transversales, corte de inglete, corte longitudinal, y cortar en bisel

NOTA: Esta sierra es diseñado para cortar mosaico artificial, empedrador, y productos de losas de piedra sólo.

INTERRUPTOR DE ENCENDIDO/APAGADO

Vea la figura 18, página 21.

Esta sierra está equipada con un conjunto del interruptor de corriente dotado de cerradura de llave integrada. Esta característica tiene la finalidad de evitar el uso no autorizado y posiblemente peligroso por niños y otras personas.

PARA ENCENDER LA SIERRA:

- Para encenderla, introduzca la llave en el interruptor y levante de mismo a la posición de **ENCENDIDO**.

NOTA: Cuando interruptor de encendido/apagado, prenda inmediatamente en la válvula de ajuste del flujo.

PARA APAGAR LA SIERRA:

- Para apagarla, baje de interruptor a la posición de **APAGADO**.

NOTA: Cuando interruptor de encendido/apagado, inmediatamente vuelta de la válvula del ajuste del flujo.

PARA ASEGURAR LA SIERRA:

- Con la sierra apagó, retire la llave del interruptor y guárdela en un lugar seguro.

FUNCIONAMIENTO

ADVERTENCIA:

Cuando no esté en uso la herramienta, siempre retire la llave del interruptor y guárdela en un lugar seguro. En caso de un apagón, ponga el interruptor en la posición de **APAGADO** y retire la llave. De esta manera se evita un arranque por accidente de la herramienta al restablecerse la corriente.

ADVERTENCIA:

SIEMPRE asegúrese de que la pieza de trabajo no toque la muela, antes de accionar el interruptor para encender la herramienta. La falta de atención a esta advertencia puede causar el lanzamiento violento de la pieza de trabajo hacia el operador, con posibilidad de lesiones graves.

ADVERTENCIA:

Para reducir el riesgo de un arranque accidental, SIEMPRE asegúrese de que el interruptor esté en la posición de **APAGADO** antes de conectar la herramienta en la toma de corriente.

UTILIZAR LA GUÍA DE BORDE AL HILO

Vea la figura 19, página 22.

La guía de borde al hilo puede ser utilizada de la izquierda y a la derecha el lado correcto de la muela para cortar.

- Coloque la guía de borde al hilo en la posición deseada.
- Apriete la palanca hacia abajo para encerrar el lugar.

Ajuste ángulos:

- Vuelva a apretar la perilla de fijación.
- Ajuste al ángulo deseado moviendo la parte más baja de la guía de de borde al hilo izquierdo o el derecho.
- Apriete la perilla firmemente antes el apagado el sierra.

UTILIZAR LA VÁLVULA DE SUMINISTRO DE AGUA

Vea la figura 20, página 22.

La válvula de suministro de agua le permite ajustar el agua que fluye en la rueda.

UTILIZAR LA VÁLVULA DE AJUSTE DEL FLUJO

Vea la figura 21, página 22.

Cuando se usa el sistema de flujo de pumless, esta válvula debe ser encendido y apagado siguiendo inmediatamente girando el sierra enencendido o apagado.

Cuando se usa la bomba opcional (no incluyó), la válvula de ajuste del flujo puede ser utilizada para ajustar el flujo de agua.

COUPES

Siempre dibuje la línea para ser cortada en el mosaico que utiliza un lápiz de marcador o grasa. Si la losa es brillante y duro a la marca, cinta adhesiva protectora de lugar en la losa y marca la cinta.

Un problema común al cortar losa se desvía de la línea marcada. Una vez que usted se ha desviado de la marca, usted no puede forzar la espalda de la muela a la línea torciendo el losa. En vez de eso, atrás arriba y recut el mosaico que corta una pequeña cantidad de losa hasta que la rueda regrese en el vestigio.

Para evitar este problema, utilice el bloque de bisel o guía de borde al hilo siempre que posible. Utilice la guía de borde al hilo al hacer la corte transversal e cortes a inglete y el bloque de bisel para cortes biselados.

PARA EFECTUAR CORTES TRANSVERSALES

Vea la figura 22, página 22.

Los cortes transversal son directamente 90° los cortes. La materia es alimentada en el corte en un 90° el ángulo a la rueda, y la muela son verticales.

- Utilizar un lápiz de marcador o grasa, marca el área para ser cortada en la material.
- Fije la guía de borde al hilo a 0°, apriete la perilla de fijación y seguro el lugar.
- Coloque la materia sobre la mesa y firmemente contra la guía de borde al hilo y guía.
- Asegúrese de que la material está lejos de la muela para cortar losas antes de encender la sierra.
- Coloque el interruptor de encendido/apagado en la posición de **ENCENDIDO**.
- Coloque el válvula de ajuste del flujo en la posición de **ENCENDIDO**.
- Deje que la muela para cortar adquiera velocidad y espera para la muela para mojar antes de mover la mesa de inglete para alimentar la pieza de trabajo a la muela.
- Sostenga firmemente la material contra la guía de borde al hilo y guía, y aváncela hacia la muela para cortar.
- Cuando termine el corte, apague la sierra; para ello, ponga el botón en la posición **OFF**. Espere a que la muela se detenga por completo antes de retirar cualquier parte de la material.

PARA EFECTUAR CORTES DIAGONALE

Vea la figura 23, página 22.

Los cortes diagonales también son llamados “cortes de punta a punta”.

- Utilizar un lápiz de marcador o grasa, marca el área para ser cortada en la material.
- Coloque la guía de borde al hilo al ángulo deseado, seguro el lugar, y apriete la perilla de fijación.

FUNCIONAMIENTO

- Coloque la materia sobre la mesa y firmemente contra la guía de borde al hilo y guía.
- Asegúrese de que la material está lejos de la muela para cortar losas antes de encender la sierra.
- Coloque el interruptor de encendido/apagado en la posición de **ENCENDIDO**.
- Coloque el válvula de ajuste del flujo en la posición de **ENCENDIDO**.
- Deje que la muela para cortar adquiera velocidad y espere para la rueda para mojar antes de mover la mesa de inglete para alimentar la pieza de trabajo a la muela.
- Sostenga firmemente la material contra la guía de borde al hilo y guía, y aváncela hacia la muela para cortar.
- Cuando termine el corte, apague la sierra; para ello, ponga el botón en la posición **OFF**. Espere a que la muela se detenga por completo antes de retirar cualquier parte de la material.

PARA EFECTUAR CORTES A INGLETE

Vea la figura 24, página 22.

Los cortes a inglete se usan para cortar esquinas internans y externans de cerámica, molduras decorativas de riel y de base con la materia en cualquier ángulo a la rueda de otra manera que 90°. Los cortes a inglete tienden a “arrastrar” durante cortar. Esto puede ser controlado por tener la pieza de trabajo firmemente contra la guía de borde al hilo

- Utilizar un lápiz de marcador o grasa, marca el área para ser cortada en la material.
- Coloque la guía de borde al hilo al ángulo deseado, seguro el lugar, y apriete la perilla de fijación.
- Coloque la materia sobre la mesa y firmemente contra la guía de borde al hilo y guía.
- Asegúrese de que la material está lejos de la muela para cortar losas antes de encender la sierra.
- Coloque el interruptor de encendido/apagado en la posición de **ENCENDIDO**.
- Coloque el válvula de ajuste del flujo en la posición de **ENCENDIDO**.
- Deje que la muela para cortar adquiera velocidad y espere para la rueda para mojar antes de mover la mesa de inglete para alimentar la pieza de trabajo a la muela.
- Sostenga firmemente la material contra la guía de borde al hilo y guía, y aváncela hacia la muela para cortar.
- Cuando termine el corte, apague la sierra; para ello, ponga el botón en la posición **OFF**. Espere a que la muela se detenga por completo antes de retirar cualquier parte de la material.

PARA EFECTUAR CORTES EN L

Vea la figura 25, página 23.

Una corte en L es una sección que se saca de la material y se una al cortar la material que entrará en un rincón de un mueble o pieza de moldura y son hechos por dos cortes separados.

NOTA: Sólo overcut en el fondo o debajo del lado de la materia para ser cortado.

- Utilizar un lápiz de marcador o grasa, marca el área para ser cortada en la material.
- Coloque la guía de borde al hilo al ángulo deseado, seguro el lugar, y apriete la perilla de fijación.
- Coloque la materia sobre la mesa y firmemente contra la guía de borde al hilo y guía.
- Asegúrese de que la material está lejos de la muela para cortar losas antes de encender la sierra.
- Coloque el interruptor de encendido/apagado en la posición de **ENCENDIDO**.
- Coloque el válvula de ajuste del flujo en la posición de **ENCENDIDO**.
- Deje que la muela para cortar adquiera velocidad y espere para la rueda para mojar antes de mover la mesa de inglete para alimentar la pieza de trabajo a la muela.
- Sostenga firmemente la material contra la guía de borde al hilo y guía, y aváncela hacia la muela para cortar.
- Haga el corte suficiente distante en la materia sin haga lo mismo.
- Gire la materia sobre y haga el corte por uno de las marcas. Este haga lo mismo del tiempo que la otra línea y el piezo del corte deben separar del resto de la materia.
- Cuando termine el corte, apague la sierra; para ello, ponga el botón en la posición **OFF**. Espere a que la muela se detenga por completo antes de retirar cualquier parte de la material.

PARA EFECTUAR CORTES EN BISEL

Vea la figura 26, página 23.

Bisel 45° cortes pueden ser hechos con el bloque de bisel.

- Utilizar un lápiz de marcador o grasa, marca el área para ser cortada en la material.
- Coloque el bloque de bisel en el lado correcto de la mesa en la distancia deseada de la muela y la cerradura en el lugar.
- Coloque el material sobre bloque de bisel.
- Asegúrese de que la material está lejos de la muela para cortar losas antes de encender la sierra.
- Coloque el interruptor de encendido/apagado en la posición de **ENCENDIDO**.
- Coloque el válvula de ajuste del flujo en la posición de **ENCENDIDO**.
- Deje que la muela para cortar adquiera velocidad y espere para la rueda para mojar antes de mover la mesa de inglete para alimentar la pieza de trabajo a la muela.
- Sostenga firmemente la material contra la guía de borde al hilo y guía, y aváncela hacia la muela para cortar.
- Cuando termine el corte, apague la sierra; para ello, ponga el botón en la posición **OFF**. Espere a que la muela se detenga por completo antes de retirar cualquier parte de la material.

AJUSTES

ADVERTENCIA:

Antes de efectuar cualquier ajuste, asegúrese de que la herramienta esté desconectada del suministro de corriente y de que el interruptor esté en la posición de apagado (OFF). La falta de atención a esta advertencia podría causar lesiones corporales graves.

La sierra ha sido ajustada en la fábrica para producir cortes muy exactos. No obstante, algunos de los componentes podrían haberse desalineado durante el transporte. También, al paso del tiempo, probablemente será necesario un reajuste debido al desgaste.

No inicie ningún ajuste sin haber revisado con una escuadra y haber efectuado cortes de prueba para asegurarse de que son necesarios los ajustes.

PARA ESCUADRA LA MUELA PARA CORTAR CON LA RANURA DE LA MESA

Ve a la figura 27, página 23.

No afloje ningún tornillo para este ajuste hasta que haya revisado con una escuadra y haya efectuado cortes de prueba para asegurarse de que son necesarios los ajustes. Una vez aflojados los tornillos, deben reajustarse estos elementos.

- Desconecte la sierra.
- Utilizar llave de 13 mm (no incluida), afloja el perno hexagonal en la armazón y el fin de la barra de la corredera.

- Mueva la mesa hasta que la mesa sea cuadrada con la muela corte.
- Apriete firmemente los pernos hexagonal.

AJUSTE LOS RODILLOS DE MESA

Ve a la figura 28, página 23.

Si la mesa no desliza lisamente, parece afloja también en la barra de la corredera, o movimientos lado para lado, los ajustes pueden ser requeridos. Hay dos conjuntos diferentes de ejes que puede requerir el ajuste.

Para ajustar si la mesa es aflojar:

- Utilizar llave hexagonal y llave (no incluida), aflojar dos eje inferior. Estos bajar que ejes pueden ser ajustes hacia arriba y abajoen la barra de corredera.
- Si la mesa todavía no desliza lisamente, afloja los primeros dos eje.
- Una vez que los rodillos deslizan de modo satisfactorio, aprietan los tornillos firmemente.

Para ajustar si la mesa es apriete:

- Del lado más en la armazón, inserte una llave hexagonal en el eje.
- Teniendo la llave hexagonal para mantener el eje de la curva, afloja las tuercas de nilón hasta los corredera de mesa en la uniformidad deseada.

MANTENIMIENTO

ADVERTENCIA:

Al dar servicio a la unidad, sólo utilice piezas de repuesto Ryobi idénticas. El empleo de piezas diferentes puede causar un peligro o dañar el producto.

ADVERTENCIA:

Siempre use gafas de seguridad o anteojos protectores con protección lateral al usar herramientas eléctricas o al soplar el polvo con aire comprimido. Si la operación genera mucho polvo, también póngase una mascarilla contra el polvo.

ADVERTENCIA:

No permita en ningún momento que fluidos para frenos, gasolina, productos a base de petróleo, aceites penetrantes, etc., lleguen a tocar las piezas de plástico. Las sustancias químicas pueden dañar, debilitar o destruir el plástico, lo cual a su vez puede producir lesiones corporales serias.

MANTENIMIENTO GENERAL

Evite el empleo de solventes al limpiar piezas de plástico. La mayoría de los plásticos son susceptibles a diferentes tipos de solventes comerciales y pueden resultar dañados. Utilice paños limpios para eliminar la suciedad, el polvo, el aceite, la grasa, etc.

LUBRICACIÓN

Todos los cojinetes de esta herramienta están lubricados con suficiente cantidad de aceite de alta calidad para toda la vida útil de la unidad en condiciones normales de funcionamiento. Después de períodos prolongados, lubrique los rodillos de mesa y limpie la barra de la correderas tan la mesa se desliza lisamente,

LIMPIEZA LA BARRA DE LA CORREDERA

Al usarse, la barra de corredera llegará a ser prevenir sucia los rodillos de mesa de deslizar lisamente. Es importante limpiar la barra de corredera a menudo utilizando un limpio, paño seco.

MANTENIMIENTO

REEMPLAZO DE LAS ESCOBILLAS

Vea la figura 29, página 23.

La sierra dispone de conjuntos de escobillas accesibles externamente, cuyo desgaste debe revisarse periódicamente.

Proceda como sigue cuando se requiera un reemplazo:

- Desconecte la sierra.



ADVERTENCIA:

Si no se desconecta la sierra puede ponerse en marcha accidentalmente, con el consiguiente riesgo de lesiones serias.

- Retire la tapa de la escobilla con un destornillador. El conjunto de cada escobilla tiene un resorte y salta al retirarse la tapa de la escobilla.
- Retire el conjunto de la escobilla.
- Efectúe una inspección para ver si hay desgaste. Reemplace ambas escobillas cuando una u otra tenga menos de 6 mm (1/4 pulg.) de carbón restante. **No** reemplace un solo lado sin reemplazar el otro.
- Vuelva a armar la unidad empleando conjuntos de escobillas nuevos. Asegúrese de que la curvatura de la escobillas corresponda a la del motor y de que las escobillas se muevan libremente en los tubos de las mismas.
- Asegúrese de que la tapa de la escobilla esté orientada correctamente (en línea recta) y colóquela.
- Apriete firmemente la tapa de la escobilla. **No** efectúe un apriete excesivo.

ACCESORIOS

Los siguientes accesorios recomendados se encuentran en las tiendas al menudeo:

080009002119 Bomba de agua

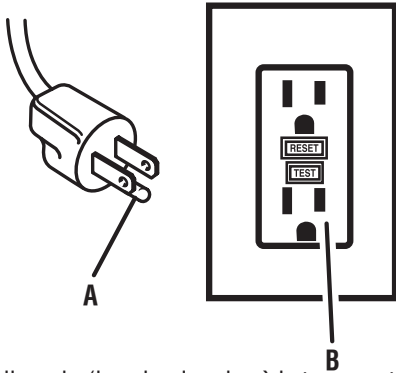
A18WS07 Pedestal



ADVERTENCIA:

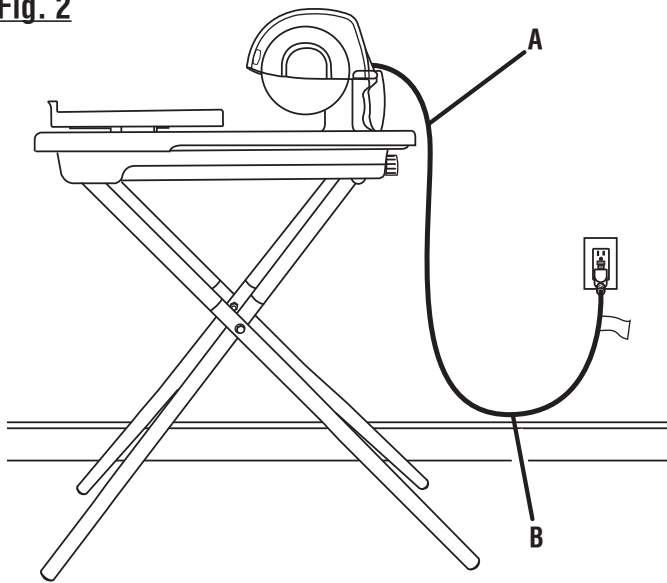
Arriba se señalan los aditamentos y accesorios disponibles para usarse con esta herramienta. No utilice ningún aditamento o accesorio no recomendado por el fabricante de este producto. El empleo de aditamentos o accesorios no recomendados podría causar lesiones graves.

Fig. 1



- A - Grounding pin (broche de mise à la terre, patilla de conexión a tierra)
- B - Ground fault outlet (prise de fuite à la terre, interruptor de toma accionado por falla de conexión a tierra)

Fig. 2



- A- Power cord (cordon d'alimentation, cordón de corriente)
- B- Drip loop (boucle d'égouttement, vuelta de goteo)

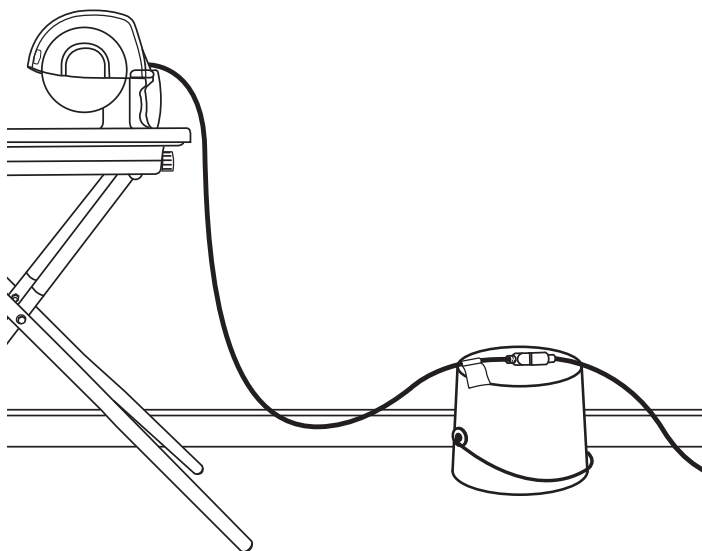
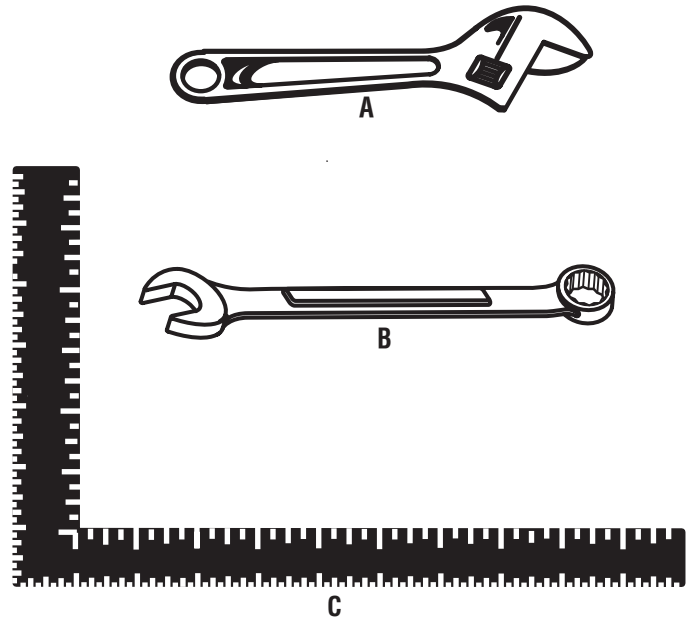


Fig. 3

NOTE: Figure 3 shown on page 18.
NOTE : Figure 3 montré sur la page 18.
NOTA: Figure 3 mostrado en la página 18.

Fig. 4

**TOOLS NEEDED
OUTILS NÉCESSAIRES
HERRAMIENTAS NECESARIAS**



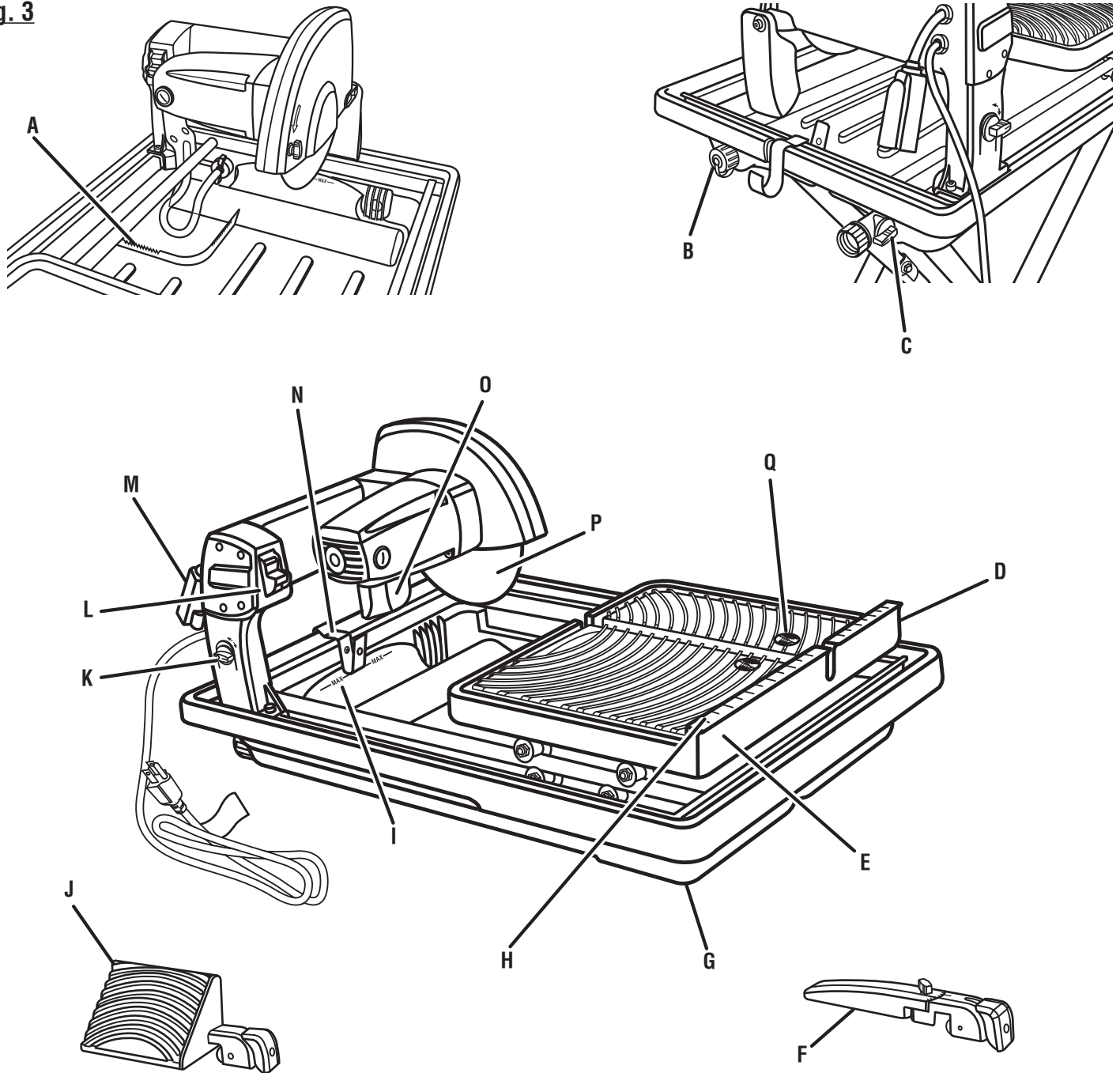
The following tools (not included or drawn to scale) are needed for assembly and alignment:

Les outils suivants (non inclus ou dessiné pour escalader) sont nécessaires pour effectuer l'assemblage :

Para armar la unidad se necesitan las siguientes herramientas (no incluido o dibujado para escalar):

- A - Adjustable wrench (clé a molette, llave ajustable)
- B - 13 mm wrench (13 mm clé, 13 mm llave)
- C - Framing square (Équerre de charpentier, escuadra de carpintero)

Fig. 3

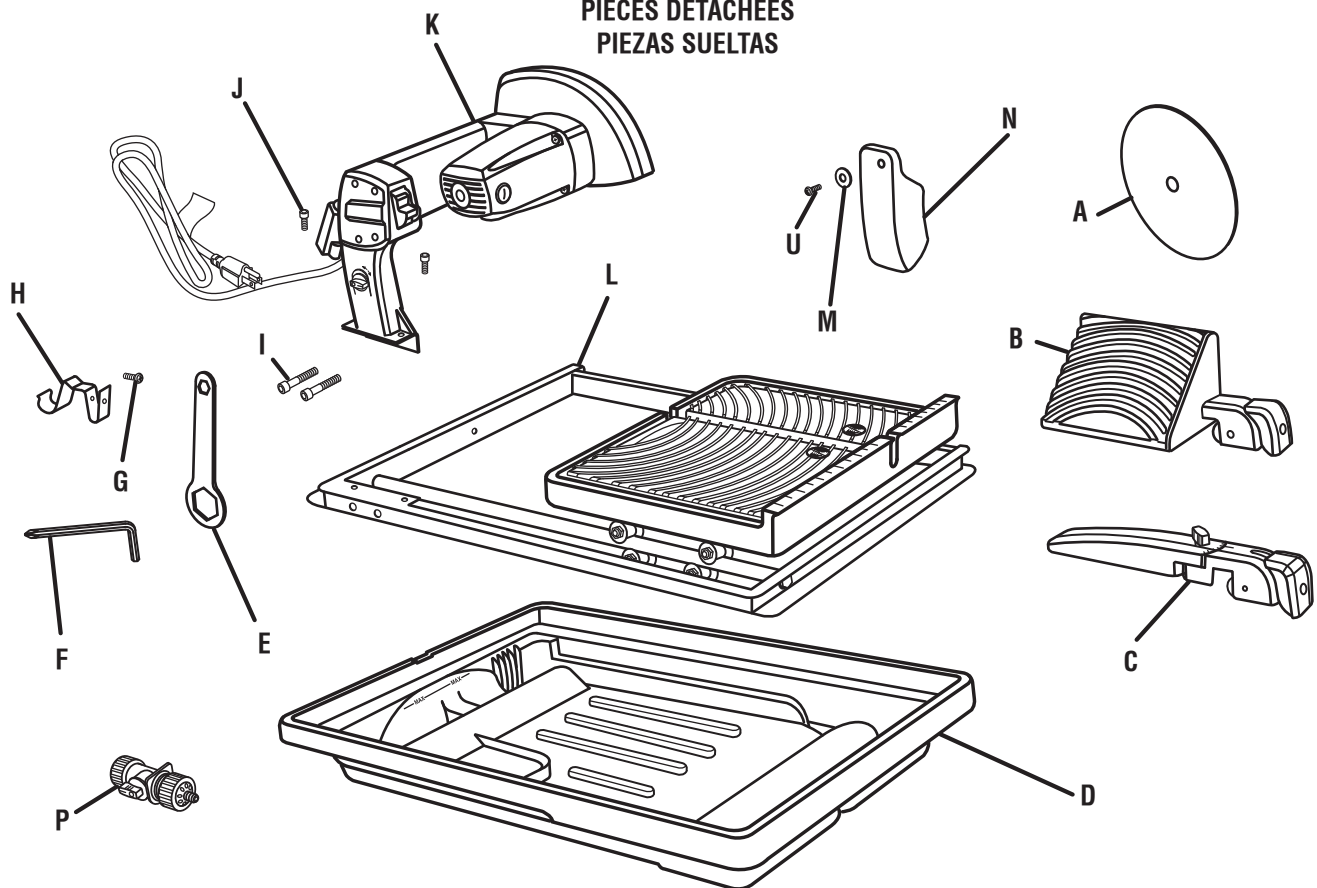


- A - Clean wave wall™ (Clean wave wall™, Clean wave wall™)
- B - Drainage output (sortie de drainage, salida de desagüe)
- C - Water supply valve (arroser la soupape de provision, válvula de suministro de agua)
- D - Fence (guide guía,)
- E - Easy Glide Table™ (Easy Glide Table™, Easy Glide Table™)
- F - Rip guide (guide de bord, guía de borde al hilo)
- G - Water tray (plateau d'eau, bandejas de agua)
- H - Fence scale (échelle du guide, escala de la guía)
- I - Max water fill line (l'eau maximum remplit la ligne, agua máxima llena la línea)
- J - Bevel block (bois de biseau, bloque de bisel)

- K - Flow adjustment valve (couler la soupape d'ajustement, válvula de ajuste del flujo)
- L - On/off switch (interrupteur marche/arrêt, interruptor de encendido/apagado)
- M - Receptacle for optional pump (prise pour la pompe supplémentaire, receptáculo para la bomba opcional)
- N - End-of-cut reminder (rappel de fin de coup, aviso de extremo de corte)
- O - Splash guard (protection éclabousser, protector para salpicaduras)
- P - Tile cutting wheel (meule à carreaux, muela para cortar losas)
- Q - "NO HANDS" zone label (étiquette « mains à l'écart », etiqueta "zona de no acercar las manos")

Fig. 5

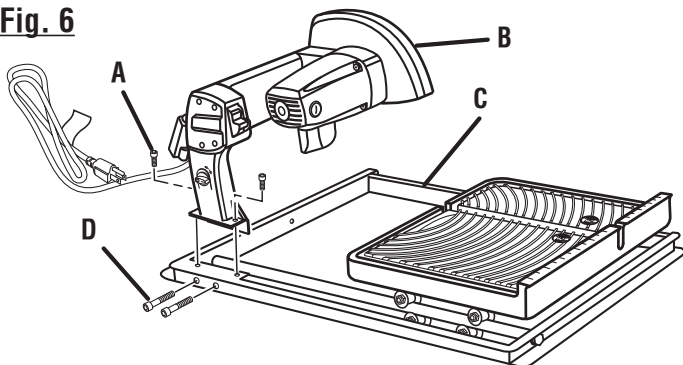
**LOOSE PARTS
PIÈCES DÉTACHÉES
PIEZAS SUELTAS**



- A - Tile cutting wheel (meule à carreaux, muela para cortar losas)
- B - Bevel block (bois de biseau, bloque de bisel)
- C - Rip guide (guide de bord, guía de borde al hilo)
- D - Water tray (plateau d'eau, bandejas de agua)
- E - Wheel wrench (clé de meule, llave de la muela)
- F - Hex key (clé hexagonale, llave hexagonal)
- G - Screw (vis, tornillo)
- H - End-of-cut reminder (rappel de fin de coup, aviso de extremo de corte)

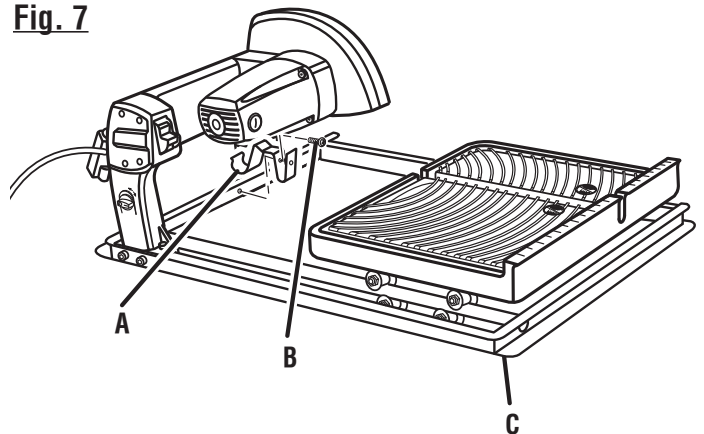
- I - Socket head screw (large) [vis à tête creuse (entretroise), tornillo de cabeza hueca (grande)]
- J - Socket head screw (small) [vis à tête creuse (petite), tornillo de cabeza hueca (pequeña)]
- K - Motor head assembly (ensemble du moteur de tête, conjunto del motor de cabeza)
- L - Water tray frame (bâti d'eau, agua en la armazón)
- M - Flat washer (rondelle plate, arandela plana)
- N - Splash guard (protection éclabousser, protector para salpicaduras)
- O - Screw (vis, tornillo)
- P - Water supply valve (arroser la soupape de provision, válvula de suministro de agua)

Fig. 6



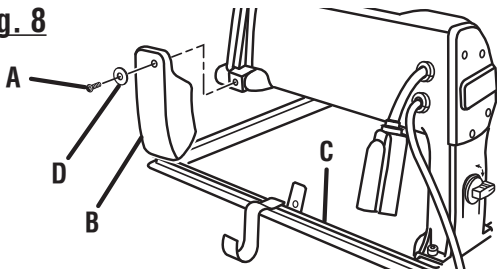
- A - Socket head screw (small) [vis à tête creuse (petite), tornillo de cabeza hueca (pequeña)]
- B - Motor head assembly (ensemble du moteur de tête, conjunto del motor de cabeza)
- C - Water tray frame (bâti d'eau, agua en la armazón)
- D - Socket head screw (large) [vis à tête creuse (entretroise), tornillo de cabeza hueca (grande)]

Fig. 7



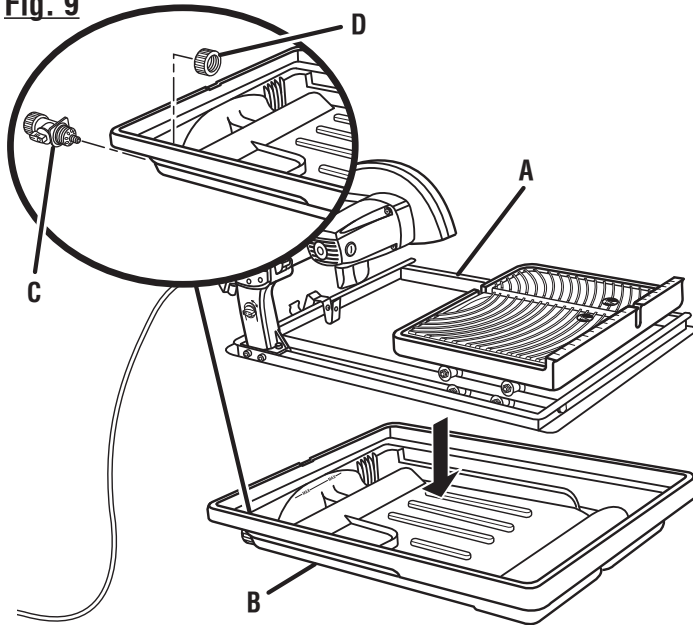
- A - End-of-cut reminder (rappel de fin de coup, Aviso de extremo de corte)
- B - Screw (vis, tornillo)
- C - Water tray frame (bâti d'eau, agua en la armazón)

Fig. 8



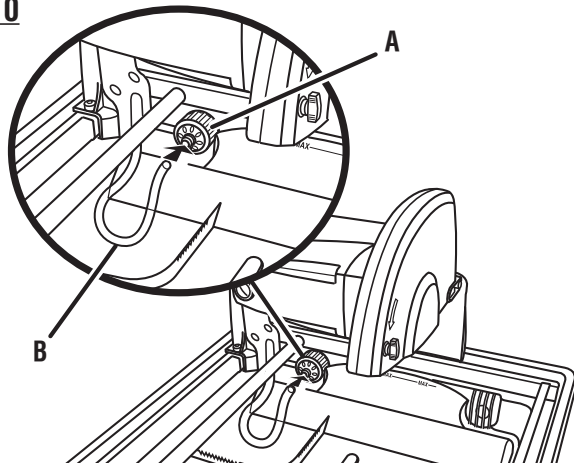
- A - Screw (vis, tornillo)
- B - Splash guard (protection éclabousser, protector para salpicaduras)
- C - Water tray frame (bâti d'eau, agua en la armazón)
- D - Flat washer (rondelle plate, arandela plana)

Fig. 9



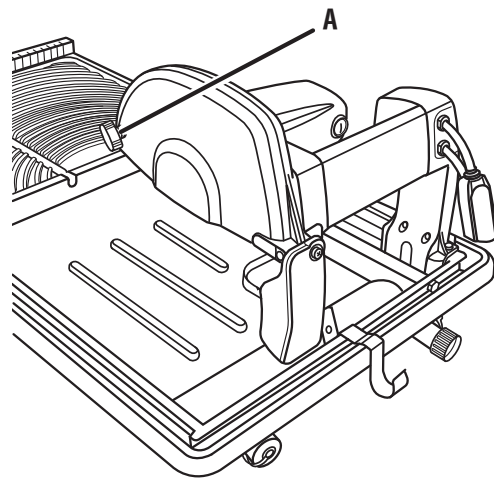
- A - Water tray frame (bâti d'eau, agua en la armazón)
- B - Water tray (plateau d'eau, bandejas de agua)
- C - Water supply valve (arroser la soupape de provision, válvula de suministro de agua)
- D - Water supply valve cap (capuchon de arroser la soupape de provision, tapa de la válvula de suministro de agua)

Fig. 10



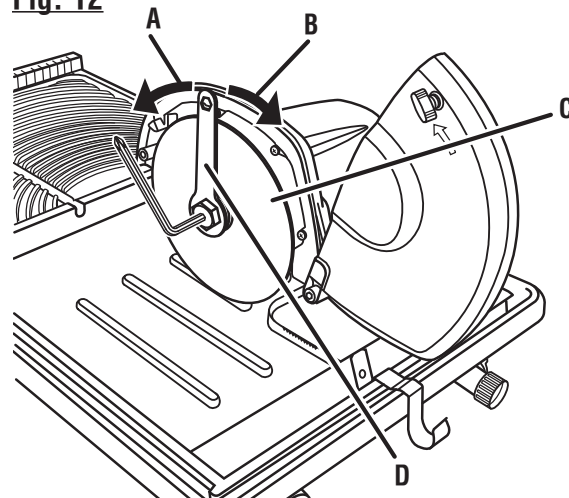
- A - Water supply valve (arroser la soupape de provision, válvula de suministro de agua)
- B - Clear hose (flexible d'injection transparent, manguera de inyección transparente)

Fig. 11



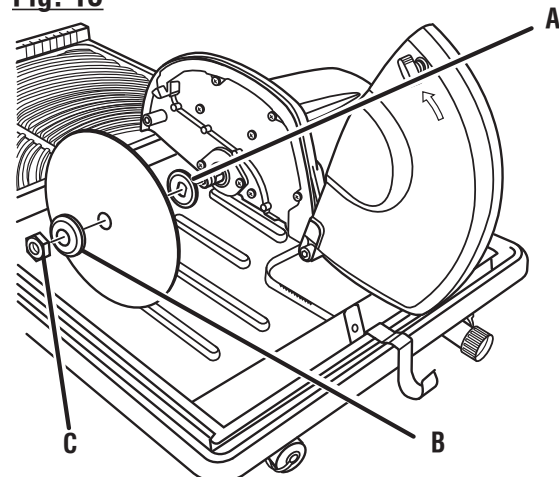
- A - Wheel guard lock (protège-meule de blocage, protección para la muela de fijación)

Fig. 12



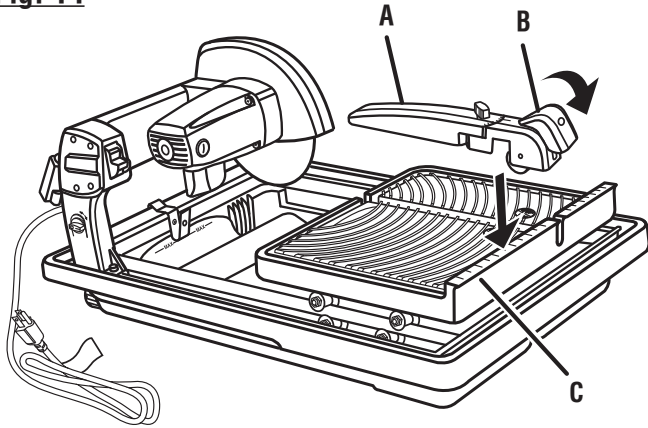
- A - To loosen (pour desserrer, para aflojar)
- B - To tighten (pour serrer, para ajustar)
- C - Tile cutting wheel (meule à carreaux, muela para cortar losas)
- D - Wheel wrench (clé de meule, llave de la muela)

Fig. 13



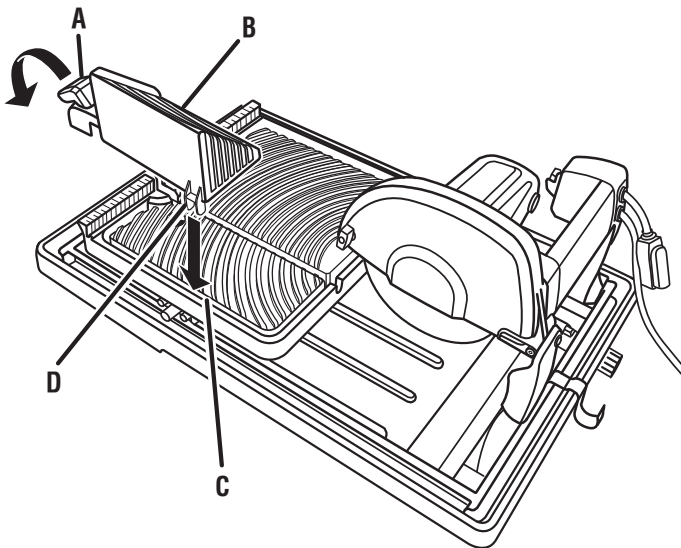
- A - Inner washer (rondelle intérieure, arandela interior)
- B - Outer washer (rondelle extérieure, arandela exterior)
- C - Arbor nut (écrou d'arbre, tuerca del árbol)

Fig. 14



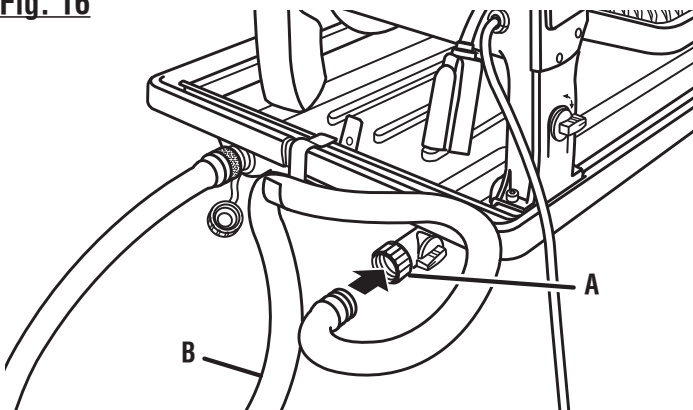
- A - Rip guide (guide de bord, guía de borde al hilo)
- B - Lever (levier, palanca)
- C - Fence (guide, guía)

Fig. 15



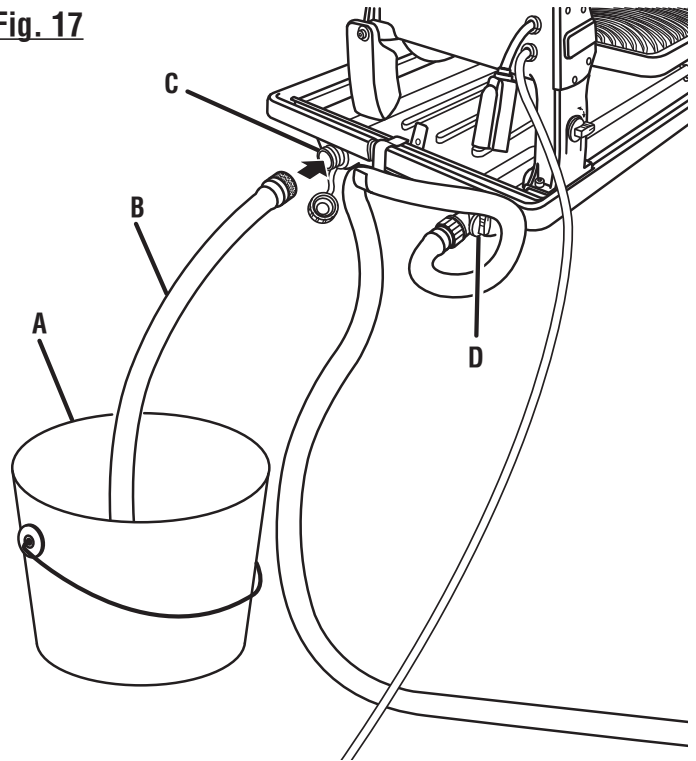
- A - Lever (levier, palanca)
- B - Bevel block (bois de biseau, bloque de bisel)
- C - Slot (fente, ranura)
- D - Bevel block tab (bois de biseau la languette, bloque de bisel la orejeta)

Fig. 16



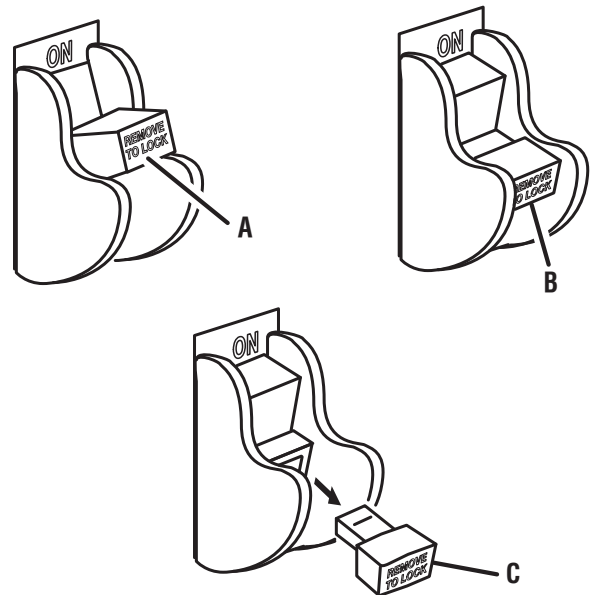
- A - Water supply valve (arroser la soupape de provision, válvula de suministro de agua)
- B - Garden hose (tuyau d'arrosage, manguera de jardín)

Fig. 17



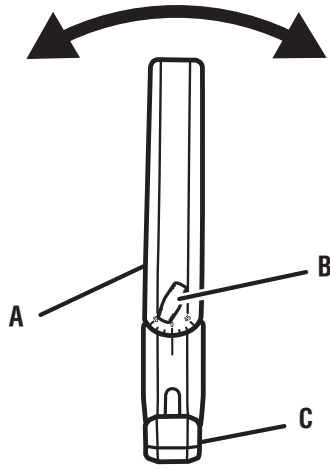
- A - Bucket (seau, balde)
- B - Drainage hose (tuyau de vidanger, manguera de desagüe)
- C - Drainage output (sortie de drainage, salida de desagüe)
- D - On/off water flow (marche/arrêt arroser le flux, riegue el flujo de encendido/apagado)

Fig. 18



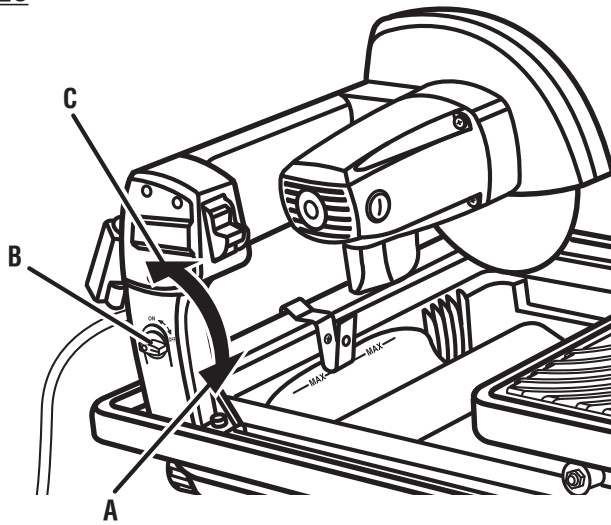
- A - Switch on (commutateur en position de marche, interruptor en posición de encendido)
- B - Switch off (commutateur en position d'arrêt, interruptor en posición de apagado)
- C - Switch key removed (clé de commutateur, llave del interruptor retirada)

Fig. 19



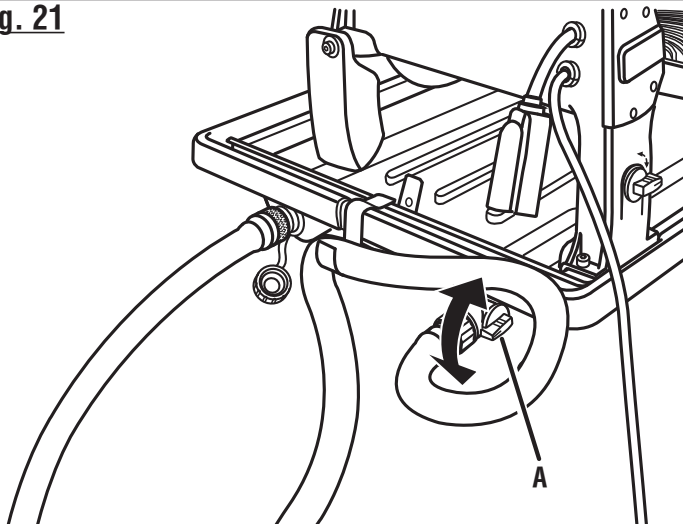
- A - Rip guide (guide de bord, guía de borde al hilo)
- B - Lock knob (bouton de verrouillage, perilla de fijación)
- C - Lever (levier, palanca)

Fig. 20



- A - Off (arrêt, apagado)
- B - Water supply valve (arroser la soupape de provision, válvula de suministro de agua)
- C - On (marche, encendido)

Fig. 21



- A - Flow adjustment valve (couler la soupape d'ajustement, válvula de ajuste del flujo)

Fig. 22

**CROSS CUT
(COUPE TRANSVERSALE,
CORTES TRANSVERSALES)**

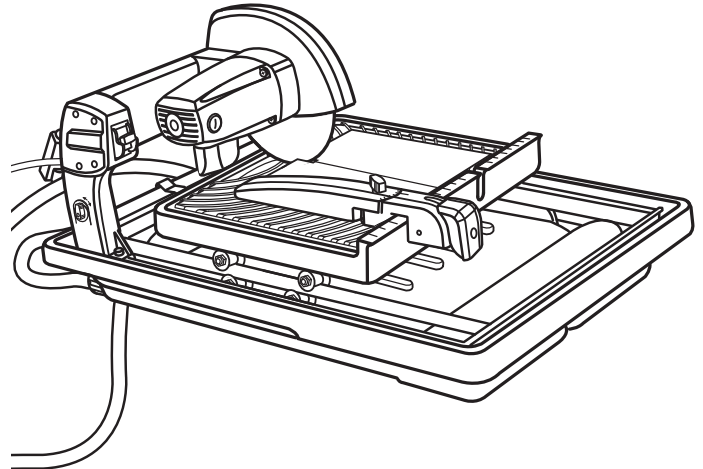


Fig. 23

**DIAGONAL CUT
(COUPE EN DIAGONALE,
CORTE DIAGONALE)**

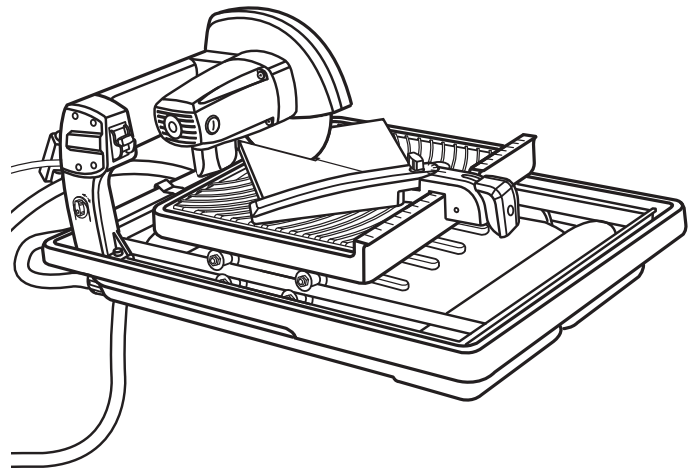
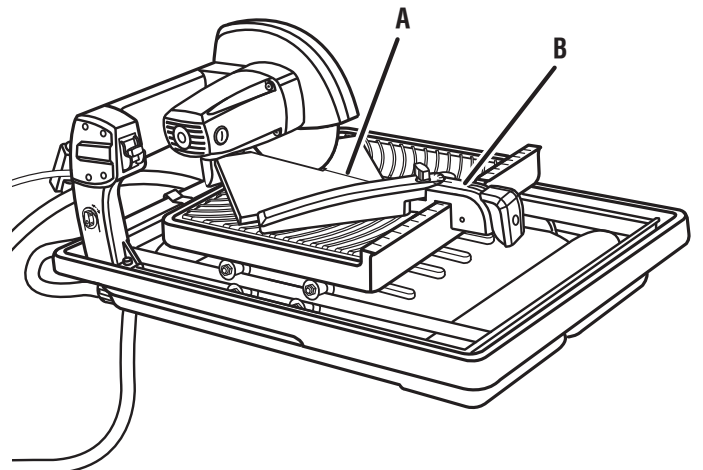


Fig. 24

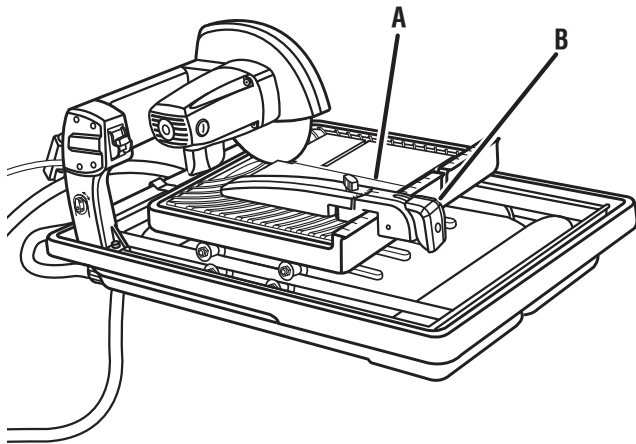
**MITER CUT
(COUPE D'ONGLET,
CORTE A INGLETE)**



- A - Mark (marquer, marca)
- B - Rip guide (guide de bord, guía de borde al hilo)

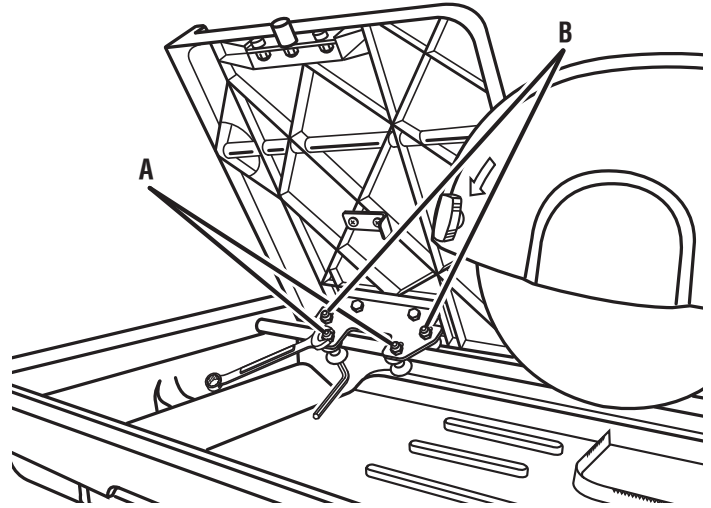
Fig. 25

**L-CUT
(COUPE D'ONGLET,
CORTE A INGLETE)**



A - Mark (marquer, marca)
B - Rip guide (guide de bord, guía de borde al hilo)

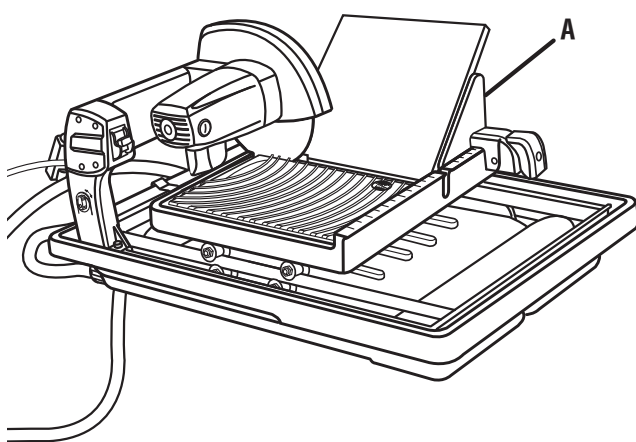
Fig. 28



A - Bottom shafts (axe inférieur, eje inferior)
B - Top shafts (axe supérieur, eje superior)

Fig. 26

**BEVEL CUT
(COUPE EN BISEAU,
CORTE EN BISEL)**



A - Bevel block (bois de biseau, bloque de bisel)

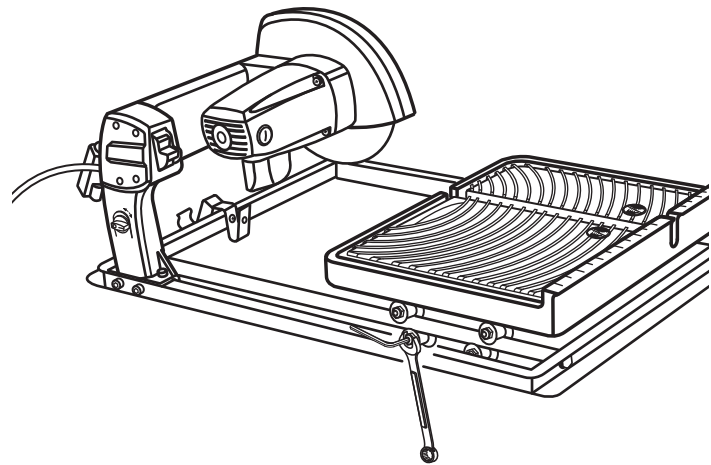
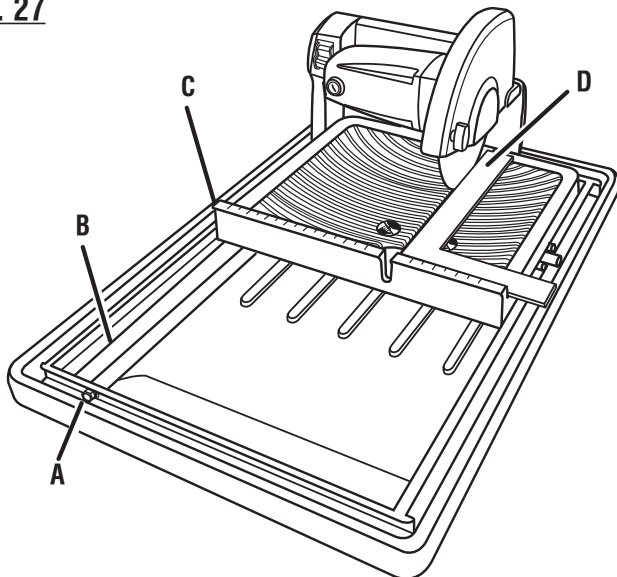
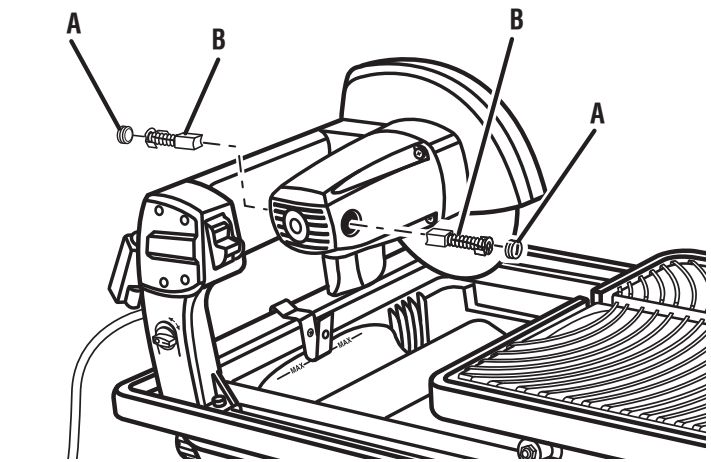


Fig. 29

Fig. 27



A - Hex bolt (boulon hex, perno hexagona)
B - Slide rod (tige de coulisse, barra de la corredera)
C - Fence (guide, guía)
D - Framing square (équerre de charpentier, escuadra de carpintero)



A - Brush cap (couvercle de balai, tapa de la escobilla)
B - Brush assembly (balai, conjunto de la escobilla)

